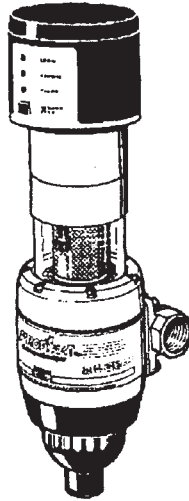


Installation and Operation Instructions
Keep on hand for future use!

JUDO-PROFiMAT



ANSI/NSF 42

for materials only

Automatic Backwash Protective Filter
Type: 3/4" - 4"

OZZ CORPORATION
20 FLORAL PARKWAY
CONCORD, ONTARIO L4K 4R1
Phone 1-866-969-6001
Phone 905-669-6223
Fax 905-660-1341

Table of Contents

| | | |
|-------|--|----|
| 1. | Information about JUDO-Profimat | 4 |
| 1.1 | Designs | 4 |
| 1.2 | Function | 4 |
| 1.3 | Sectional View of JPF-A/TP | 5 |
| 1.4 | Important - Putting Filter in Operation | 6 |
| 2. | Safety | 6 |
| 2.1 | Safety Instructions and Tips | 6 |
| 2.2 | Place of Installation | 6 |
| 2.3 | Sources of Danger | 6 |
| 3. | Transport/Installation | 7 |
| 3.1 | Dimensions and Weights | 8 |
| 3.2 | Installation Prerequisites | 8 |
| 3.3 | Technical data | 8 |
| 3.4 | Transport/Storage | 9 |
| 3.5 | Installation | 9 |
| 3.5.1 | Possibilities to drain the backwash water of JPF-Plus-A 3/4" – 1 1/4" | 10 |
| 3.5.2 | Possibilities to drain the backwash water of JPF-Plus-A 1 1/2" and 2" | 11 |
| 3.5.3 | Possibilities to drain the backwash water of JPF A 2 1/2" - 4" . | 12 |
| 4. | Operation | 13 |
| 4.1 | Instructions for Safe Operation | 13 |
| 4.1.1 | JUDO-Profimat backwash protective filter with time control JPF-A/T 3/4" - 4" | 13 |
| 4.1.2 | JUDO-Profimat backwash protective filter with time and Differential pressure control JPF-A/TP 3/4" – 4" | 13 |
| 4.2 | Choice of Backwash Intervals | 14 |
| 4.3 | Setting of Backwash Intervals | 14 |
| 5. | Trouble | 15 |
| 6. | Preventive Maintenance/Regular Maintenance | 15 |
| 6.1 | External Cleaning | 15 |
| 6.2 | Parts subject to wear | 15 |
| 6.3 | Assembly | 15 |
| 7. | Appendix | 16 |
| 7.1 | Exploded View of JPF-Plus-A/T/TP 3/4" – 1 1/4" | 16 |
| 7.2 | List of Spare Parts of JPF-Plus-A/T/TP 3/4" – 1 1/4" | 17 |
| 7.3 | Exploded view of JPF-Plus-A/T/TP 1 1/2" – 2" | 19 |
| 7.4 | List of Spare parts of JPF-Plus-A/T/TP 1 1/2" – 2" | 20 |
| 7.5 | Exploded View of JPF-A/T/TP 2 1/2"/ 3"/ 4" | 22 |
| 7.6 | List of Spare parts of JPF-A/T/TP 2 1/2"/ 3"/ 4" | 23 |

1. Information about JUDO-PROFiMAT

1.1 Designs

TABLE 1

| Model | Time Control | Differential pressure control with Differential pressure switch | Water flow at a pressure loss of 2.9 psi with a clean strainer* |
|-----------------|--------------|---|---|
| JPF-A/T 3/4" | * | | 17.62 gpm |
| JPF-A/T 1" | * | | 19.82 gpm |
| JPF-A/T 1 1/4" | * | | 24.23 gpm |
| JPF-A/T 1 1/2" | * | | 70.48 gpm |
| JPF-A/T 2" | * | | 74.88 gpm |
| JPF-A/T 2 1/2" | * | | 118.94 gpm |
| JPF-A/T 3" | * | | 220.26 gpm |
| JPF-A/T 4" | * | | 308.36 gpm |
| JPF-A/TP 3/4" | * | * | 17.62 gpm |
| JPF-A/TP 1" | * | * | 19.82 gpm |
| JPF-A/TP 1 1/4" | * | * | 24.23 gpm |
| JPF-A/TP 1 1/2" | * | * | 70.48 gpm |
| JPF-A/TP 2" | * | * | 74.88 gpm |
| JPF-A/TP 2 1/2" | * | * | 118.94 gpm |
| JPF-A/TP 3" | * | * | 220.26 gpm |
| JPF-A/TP 4" | | * | 308.36 gpm |

The standard size of the filter mesh is 0.1 mm. The mesh is made of silver-coated stainless steel for prophylactic protection against germs. Also mesh sizes of 0.03/0.32 and 0.5 mm without silver-coating are available upon request. For all models a floating contact for the remote transmission of trouble recording is possible (Order No. 8707010).

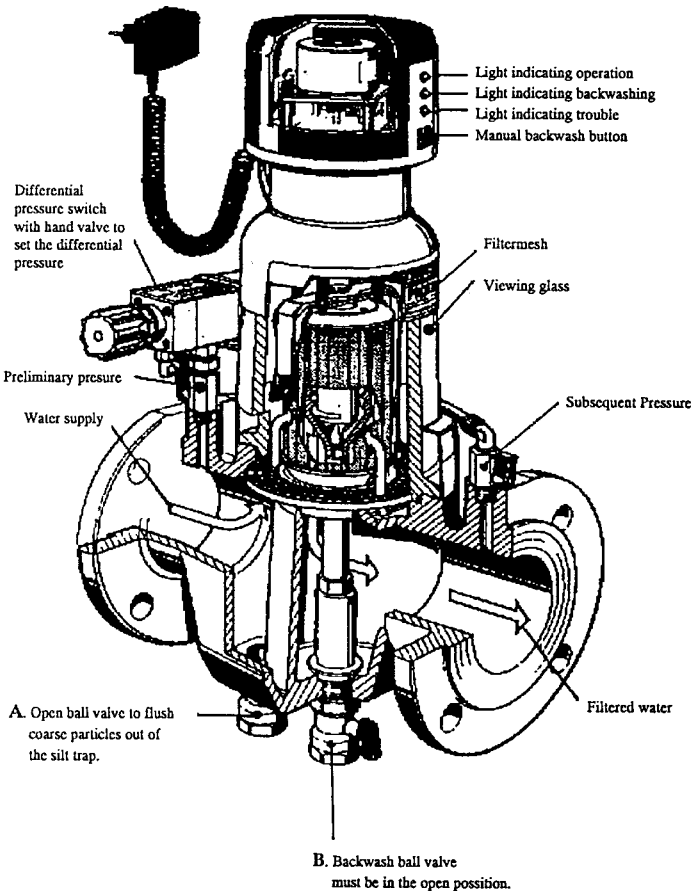
1.2 Function

The JUDO-PROFiMAT backwash protective filters remove all coarse and fine-grained impurities. Such impurities can cause pitting in cold and warm water pipelines, or they can lead to the malfunctioning of fitting and control elements, as well as sensitive instruments. In the JUDO-PROFiMAT backwash protective filter the water flows from the outside to the inside through a cylinder strainer. Impurities are visible through the filter housing. If the filter is dirty, it will be cleaned without the interruption of the water supply and filtration process.

1.3 Sectional view of JPF-A/TP

Sectional view of JPF/A/TP 2 1/2"

Turn off the ball valve only in case of trouble. In the event of high water pressure, the backwash water flow must be restricted for trouble free operation.



1.4 Important - Putting Filter in Operation (Commissioning)

- Prior to Commissioning operator or installer must read operation manual and follow Safety Instructions and Tips ref. 2.0 in order not to void warranty. If Installation & Operation Instructions are not present or not legible, please contact Customer Service for a copy and guidance @ 1-877-270-2228. A copy of the Installation & Operation Instructions must always remain with the installed filter in a dry location.
- Please note all filters are recommended to be installed between a 3 valve bypass assembly.
- Plug filter into receptical 120 volts.
- Before turning water supply ON after installation or repairs to filter or plumbing system. All drain valves located at the bottom of the filter must be in the open position.
- Check that the Drain Connections are in working order ref. 3.5
- Water Supply must be turned on very very slowly and caution must be taken with respect to the filter seive.
- The Manual Backwash button should be depressed to start a backwash as often as needed to keep filter seive clean at all times. During this step the water supply valve should not be opened any further, until the filter seive is completely clean. Repeat this step as often as required.
- Completely open the water supply cautiously always following the previous steps.
- Set Differential Pressure Control ref. 4.1:2.
- Set Backwash intervals ref. 4.2 - 4.3.
- Close inlet side drain Valve A and adjust Backwash Valve B ref. 1.3. Valve B must never be in the closed position.
- Never disassemble filter under Pressure, make sure plumbing system is shutdown and release pressure via all drain valves.
- Check that the power connection is secure and not controlled by a switch.
- Always follow the above Steps for trouble free operation.

2. Safety

2.1 Safety Instructions and Tips

The following symbols are used in these operating instructions:

- △ Warning!
It indicates a possibly dangerous situation
- ▣ Important!
It gives usage-related tips and other useful information.

2.2 Place of Installation

The JUDO-PROFiMAT backwash protective filter is to be installed in a dry and frost-resistant room with a floor drain. Direct insolation is to be avoided.

2.3 Sources of Danger

With respect to the model, JUDO-PROFiMAT backwash protective filter, which has a floating output for the remote transmission of the trouble report, please note the following:

- Maximum load 1 A
- Recommended voltage 24 V
- △ Low voltage must be used for the remote transmission of the trouble report, because when the covering hood is removed, the voltage rests against the plug-in pins without protection against electric shock.

3. Installation

3.1 Dimensions and Weights

Table 2

| Model | Length of Installation (mm) | Dimensions (mm) | | | Weight of Filter (kg) |
|--------|-----------------------------|-----------------|-----|-----|-----------------------|
| | | A | B | C | |
| 3/4" | 90 | 130 | 350 | 165 | 6 |
| 1" | 90 | 130 | 350 | 165 | 6 |
| 1 1/4" | 110 | 130 | 350 | 165 | 6 |
| 1 1/2" | 136 | 155 | 410 | 120 | 10 |
| 2" | 142 | 155 | 410 | 120 | 10 |
| 2 1/2" | 240 | 185 | 410 | 170 | 21 |
| 3" | 320 | 230 | 475 | 180 | 33 |
| 4" | 320 | 230 | 485 | 190 | 35 |

Illustration 1

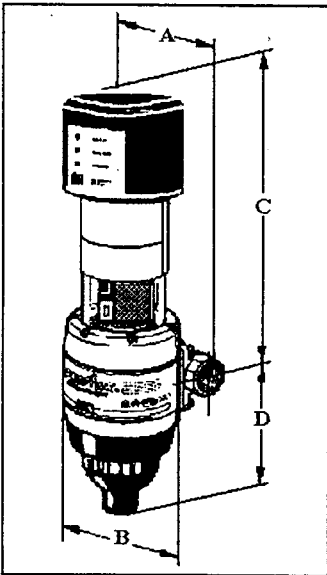
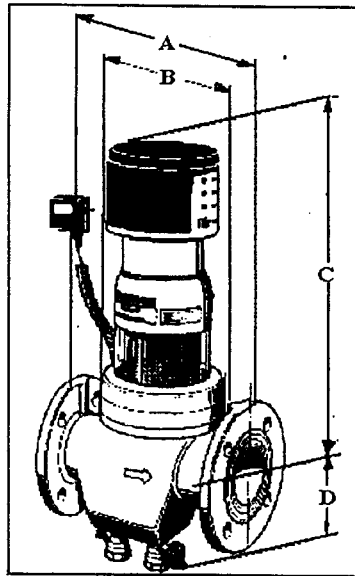


Illustration 2

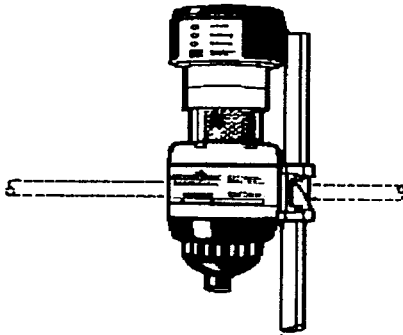


3.2 Installation Prerequisites

The JUFO-PROFiMAT backwash protective filter can be installed in vertical or horizontal pipelines, made of galvanized steel, copper, or plastic, and in any direction of flow (For JPF-Plus 3/4" – 2", please note the cast flow-direction arrow on the rotary flange – see illustration 3).

Illustration 3

Possibility to install JUFO-PROFiMAT 3/4" – 2" in Vertical or horizontal pipelines



Filters of nominal size 2 1/2" to 4" should only be installed on a horizontal pipeline. If a vertical line is used in the operation, the coarse particles deposited in the split trap cannot be flushed out as optimally as in a horizontal operation.

Up to a water pressure of 232 psi, the JUDO-PROFiMAT protective filters should be installed after the water meter and the backflow preventer and before a possible pressure reducer. At water pressures in excess of 232 psi, a pressure reducer is to be installed before the JUDO-PROFiMAT backwash protective filter. For the plug-in power supply unit of the automatic filters a socket with earthing contact (grounded) and continuous current supply is required at a distance of 1.5 m maximum.

3.3 Technical Data

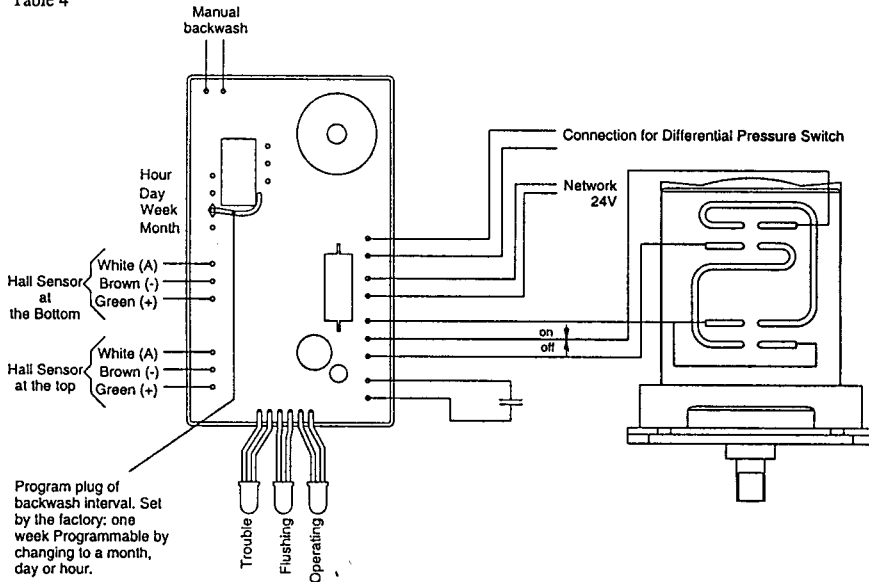
| | |
|---|--------------|
| Maximum pressure of Profi 3/4" – 2 1/2" | 232 psi |
| Operating pressure of Profi 3/4" – 2 1/2" | 20 - 232 psi |
| Maximum pressure of Profi 3"-4" | 232 psi |
| Operating pressure of Profi 3"-4" | 20 - 232 psi |
| Maximum water temperature | 30°C |
| Backwash water control by means of the ball valve | |

Power Requirements and Wiring Diagram for JPF-A/T/TP " – 4"

| | |
|-------------------|-----------------|
| Current supply | 120 V AC, 60 Hz |
| Operating voltage | 24 V AC |
| Input voltage | 15 VA |

Wiring Diagram for Motor Control

Table 4

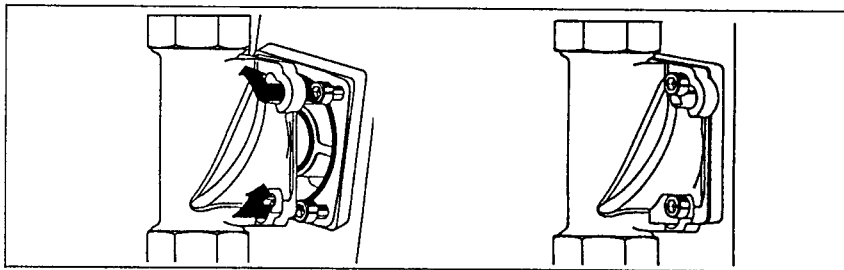


3.4 Transport/Storage

The JUDO-PROFiMAT backwash protective filter has to be guarded against great shock load

3.5 Installation

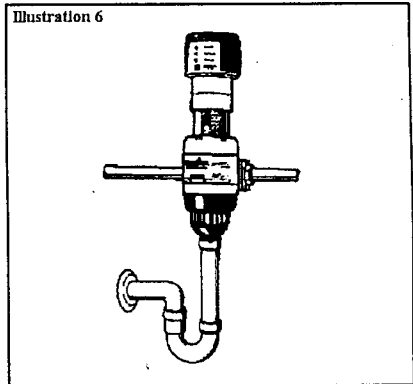
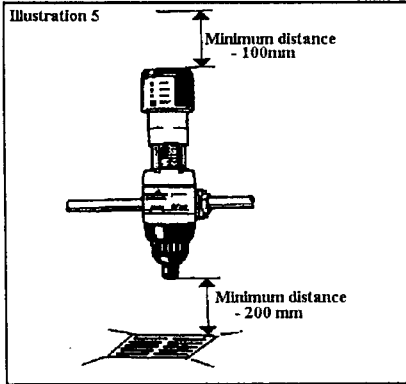
The JUDO-PROFiMAT backwash protective filter is to be installed with minor bracing. For easy operation and maintenance, it is necessary to observe the minimum distances indicated (see installation drawings on page 10).



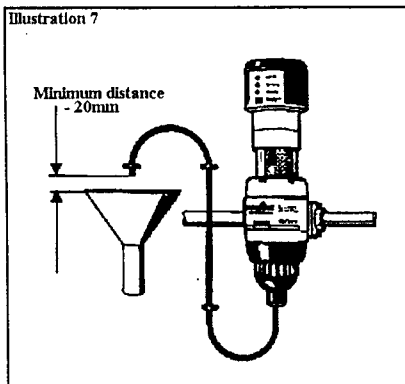
The 3/4" – 1 1/4" JUDO-PROFiMAT backwash protective filter is pre-assembled with the required gaskets and screws. Do not loosen the four flange bolts but put them into the bayonet bored holes on the rotary flange.

Turn the equipment clockwise until you reach the stop and tighten the bolts.

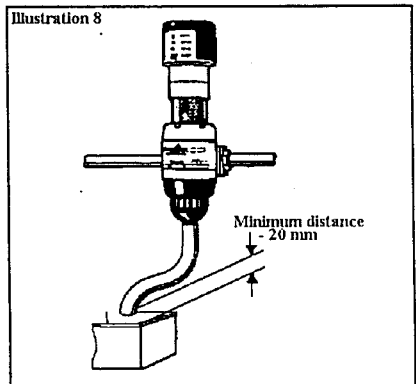
3.5.1 Possibilities of Draining the Backwash Water of 3/4" – 1 1/4" JPF-Plus-AT/ATP



The backwash water is drained via a siphon with 1 1/2" pipe indirect drain connection.



If the water discharge is located at a higher level, the backwash water is discharged upwards by means of a hose.



A 1 1/2"-hose is connected to a filtering funnel and the backwash water is guided to a drain.

3.5.2 Possibilities of draining the backwash water of JPF-Plus AT/ATP 1 1/2" and 2"

Illustration 9

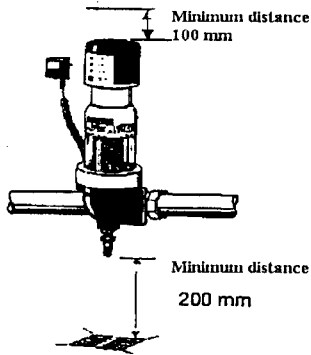


Illustration 10

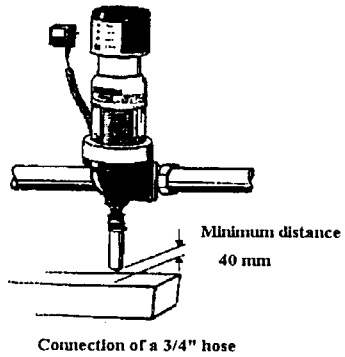
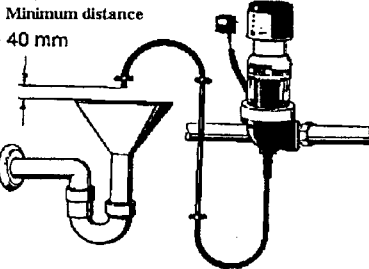
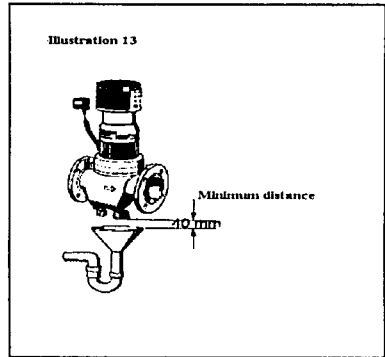
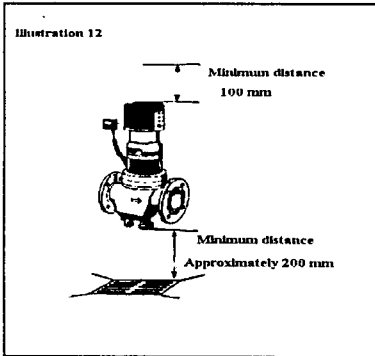


Illustration 11



If the water discharge is located at a higher level, the backwash water is discharged upwards by means of a hose.

3.5.3 Possibilities of draining the backwash water of JPF-Plus-AT/ATP 2 1/2" - 4"



The backwash water can be drained with a hose of the same size as the backwash water valve.

When screwing in a pipe in order to drain the backwash water, it must be ensured that the ball valves are not turned around, since these are bonded with a screw protection device.

The dimensioning of the canal cross-sections for the backwash water depends on local conditions, for example, the fall of the drain pipe, number of turns, lengths of the waste-water line, etc.

- △ It must be guaranteed at any time, even in the case of technical trouble, that the backwash water can be drained without causing any damage.

It is not permitted to run the backwash-water off into pump wells, etc.

The following table gives reference values of the volumetric flow of the backwash water at about 30 – 45 psi when the backwash-water valve is 100% open.

| Filter | JPF 3/4"-1 1/4" | JPF 1 1/2"-2" | JPF 2 1/2" | JPF 3"-4" |
|-----------------------------------|-----------------|---------------|------------|-----------|
| Backwash flow (L/s) | 0.2-0.4 | 0.3-0.8 | 0.3-0.8 | 0.5-1.5 |
| Backwash time approximately (min) | 2 | 2 | 2 | 2 |

4. Operation

4. Instructions for Safe Operation

- △ In Order to endure a long service life of the filter and the strainer, it is necessary that at pressures in excess of 30 psi, the backwash flow is restricted by means of the ball valve backwash-water faucet. This will prevent the screen mesh from becoming damaged by excessively high flows of flushing water. It will simultaneously reduce the consumption of flushing water possible flow noises.
- △ If the backwash water is guided to a distant canal by way of a hose or piping, it is necessary to check if additional backwash water discharges after the backwashing procedure.
- △ It has been our experience that in new installations dirt will deposit to a greater extent in the beginning. If backwashing is not done on time, it is possible that the screens will be destroyed.

4.1.1 JUDO-PROFiMAT backwash protective filter with time control JPF-A/T 3/4"-4"

The factory has set the automatic backwash procedure to one week. Depending on more or less accumulation of dirt, it is necessary to set the automatic backwashing procedure alternatively to one month, one day or to one hour (see illustrations 4.2, table 4).

4.1.2 JUDO-Profimat backwash protective filter with time control and differential pressure control JPF-A/TP 3/4" - 4"

The automatic backwashing procedure has been set for one week by the factory. Due to the impurities deposited on the filter mesh, an increased differential pressure between the inflow and the outflow will occur at a respective flow. The differential pressure switch records the differential pressure existing at the filter. If the differential pressure reaches the set value, the backwashing procedure is automatically triggered. The differential pressure control is connected in priority to the time interval.

The differential pressure switch is fitted directly to the filter. A differential pressure between 1.5 and 15 psi is to be set according to the scale, by means of the hand valve (set at 7 psi by the factory). Through triggering the backwashing by way of the differential pressure switch, the time control is set to 0. (1 Bar equals 15 psi)

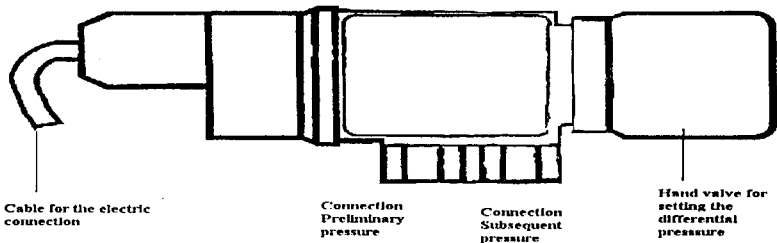


Illustration 14 - Differential Pressure Switch

4.2 Choice of Backwash intervals

When determining the backwash intervals in specific realms of applications, the amount of dirt accumulated, the mesh size and the volume of flow must be taken into consideration.

- Δ The smaller the mesh size of strainer, the more frequently the backwashing must be! If backwashing is not done on time, damage to the screen may result.

Table 4 - Choice of the backwash intervals

| Mesh size (mm) | Realms of Application | Backwash Intervals depending on the accumulation of dirt |
|----------------|---|--|
| 0,0 3 | Doctors offices laboratories Photo laboratories | 1 hour, 1 day |
| 0.1 | Domestic water system in the Private and Industrial sectors | week, month |
| 0.10 and 0.32 | Domestic water system Well water | 1 hour 1 day, 1 week |
| 0.32 and 0.5 | Industrial sector Air-conditioning Installations | 1 hour 1 day, 1 week |

4.3 Setting of Backwash Intervals

The backwash intervals can be set at the electronics by means of a program plug. To do so, remove the four screws of the black covering hood and take off the hood.

- Backwashing of the automatic filter can also be accomplished by depressing the manual release key or by engaging the differential pressure manometer. By doing so, the interval time of the backwashing procedure is set to zero.

5. Trouble

There are three control lamps on the JUDO-PROFiMAT backwash protective filter JPF-AT/P **Green lamp** for operation: it indicates that the filter is ready for use. **Yellow lamp** for flushing: it indicates that backflushing is in progress. **Red lamp** for trouble: it indicates trouble. If the automatic filter indicates trouble (interval sound and trouble light are on), turn off the filter by pulling the plug-in power supply unit. Then wait until all light-emitting diodes are extinguished. The trouble may possibly be eliminated by turning the filter on again. If this is not the case, turn off the filter and close the drain valves. Subsequently notify customer service. 1-877-270-2228

6. Preventive Maintenance / Routine Maintenance

6.1 External cleaning

- △ Use only water and mild soap to clean the protective filter externally. Dissolvents, dissolvent vapours and alcohol-containing cleansers lead to embrittlement and to a severe formation of surface cracks up to breakage of the plastic parts.
- Customary domestic all-purpose cleansers and dish-washing liquids may contain up to 25% dissolvents. Such cleansers may not be used.

6.2 Parts subject to wear

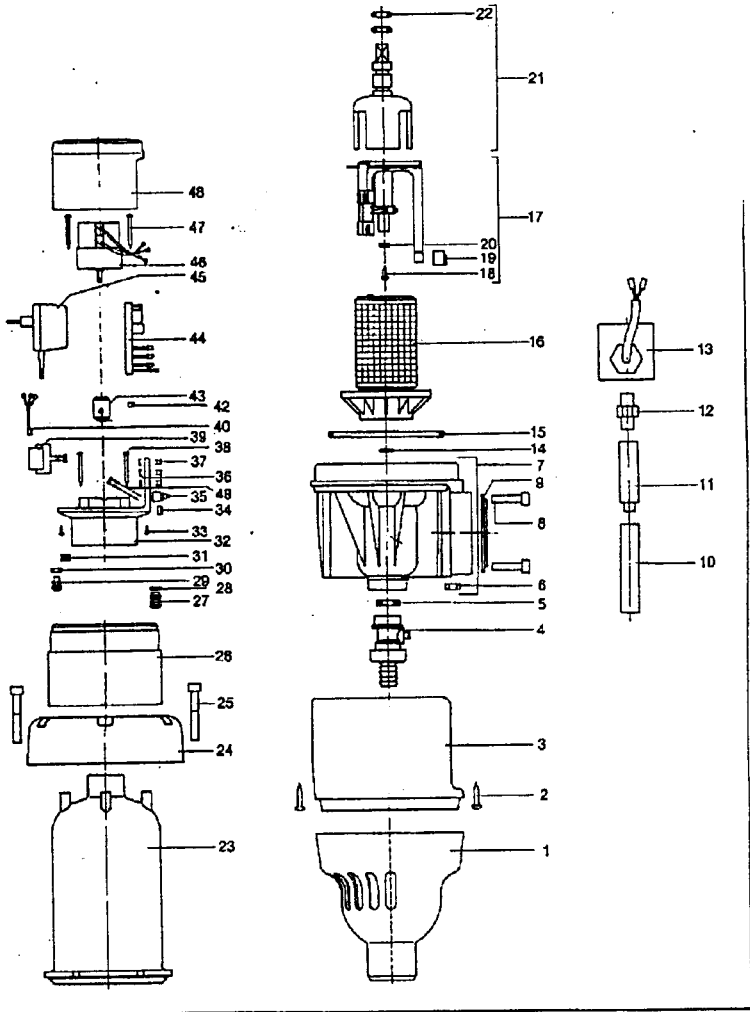
If the JUDO-PROFiMAT backwash protective filter is operated at short backwash intervals (c.g., 1 hour, 1 day), one has to expect an increase in wear of the suction-pipe nozzles, drivers, gaskets and strainers. Such parts are to be checked by customer service and replaced, if required, at the following backwash intervals: 1 hour – semi-annually; 1 day – annually.

6.3 Assembly

- △ The maximum starting torque of mounting screws (items 25) for the shrouding ring (item 26) is 4.5 Nm for PROFiMAT 3/4"- 2 1/2", and 15 Nm for PROFiMAT 3"-4". It is imperative to take note of this when assembling the filter.

7 Appendix

7.1 Exploded view of JUDO-PROFiMAT-Plus backwash protective filter JPF-plus-A/T/TP 3/4"-1 1/4"



7.2 List of Spare Parts of JUDO-PROFiMAT-Plus backwash filter

JPF-Plus-A/T/TP 3/4" - 1 1/4"

| Item | Name | Order No. | JPF+A/T | JPF+A/TP |
|------|---|-----------|---------|----------|
| | | | Piece | Piece |
| 1 | Filtering Funnel | 1120298 | 1 | 1 |
| 2 | Sheet-Metal Screw 3.5x13 | 1607114 | 3 | 3 |
| 3 | Covering JPF-Plus A/T/TP 3/4" - 1 1/4" | 2020142 | 1 | 1 |
| 3 | Covering, SMW JPF-Plus A/T/TP 3/4" - 1 1/4" | 2020143 | 1 | 1 |
| 4 | KFE Spherical Mini-Faucet | 1610319 | 1 | 1 |
| 5 | RK Gasket 19 x 9 x 4 | 1200122 | 1 | 1 |
| 6 | Hexagonal Nut M 6 | 1633145 | 10 | 10 |
| 7 | Filter Bottom | 2020152 | 1 | 1 |
| 8 | Mounting screw M 6 x 25 | 2010199 | 4 | |
| 8 | Mounting screw M6 x 40 | 1650123 | | 4 |
| 9 | Profiled flange gasket | 1200218 | 1 | 1 |
| 10 | Intermediate flange JPF-Plus A/TP | 2020058 | | 1 |
| 11 | Hexagonal Extension JPF-Plus A/TP | 2020176 | | 2 |
| 12 | Double Nipple JPF-Plus A/TP | 1440076 | | 2 |
| 13 | Differential pressure switch JPF-Plus A/TP | 1500135 | | 1 |
| 14* | O-Ring 6.5 x 2 | 1120334 | 1 | 1 |
| 15* | O-Ring 90 x 4 | 1120333 | 1 | 1 |
| 16 | Screen MW 0.1 | 2010148 | 1 | 1 |
| 17 | Suction Pipe, complete | 2010171 | 1 | 1 |
| 18 | Sheet-metal plate 2.9 x 9.5 | 1607411 | 1 | 1 |
| 19* | Nozzle | 1200166 | 3 | 3 |
| 20* | Suction pipe packing | 1607410 | 1 | 1 |
| 21 | Driver, complete | 2010146 | 1 | 1 |
| 22* | O-Ring 10 x 3 | 1120332 | 2 | 2 |
| 23 | Filter hood | 2020122 | 1 | 1 |
| 24 | Shrouding ring | 2020118 | 1 | 1 |
| 25 | Mounting screw M 6 x 40 | 1650123 | 6 | 6 |
| 26 | Housing Top | 1120293 | 1 | 1 |
| 27 | Cable connection M 8 | 1609447 | 1 | 1 |
| 28 | Hexagonal nut M 8 | 1650010 | 1 | 1 |
| 29 | Cable connection | 1440057 | | 1 |
| 30 | Washer | 1440056 | | 1 |
| 31 | Grommet | 1607215 | 1 | |
| 32 | Motor Housing | 2607203 | 1 | 1 |
| 33 | Sheet-metal screw 3.5 x 9.5 | 1650130 | 4 | 4 |
| 34 | Manual key button | 1120355 | 1 | 1 |
| 35 | Press key | 1500185 | 1 | 1 |
| 36 | Ring for assembly clip | 1500136 | 3 | 3 |
| 37 | Assembly clip | 1607207 | 3 | 3 |

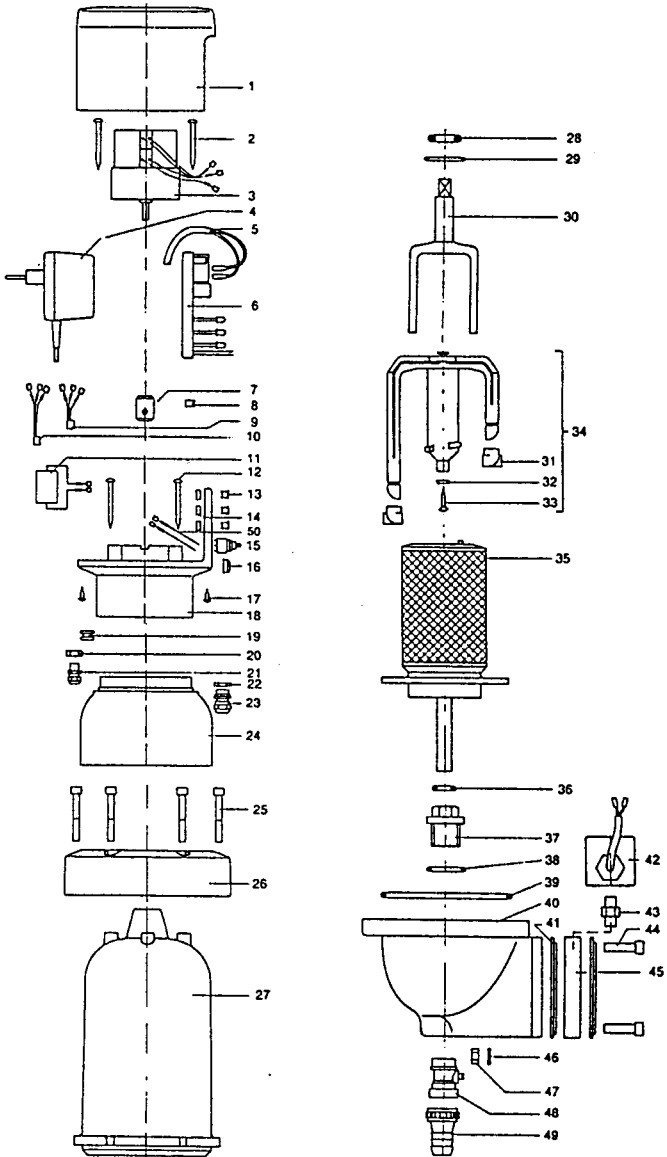
| | | | | |
|----|------------------------------|---------|---|---|
| 38 | Sheet-metal screw 3.9 x 45 | 1607213 | 4 | 4 |
| 39 | Flat condenser | 2020044 | 1 | 1 |
| 40 | HE-Contractor 200 lg | 2607245 | 2 | 2 |
| 42 | Threaded pin M 6 x 5 | 1607216 | 1 | 1 |
| 43 | Motor flange | 2020110 | 1 | 1 |
| 44 | Electronics | 2607208 | 1 | 1 |
| 45 | Plug-in power supply unit | 2607212 | 1 | 1 |
| 46 | Synchronous motor | 2020111 | 1 | 1 |
| 47 | Sheet-metal screw C 3.9 x 22 | 1650191 | 4 | 4 |
| 48 | Housing cover | 1607204 | 1 | 1 |
| 49 | Press-key cable | 2020243 | 2 | 2 |

* Parts subject to wear

SMW = Special Mesh Size

HE = Hydraulic Unit

7.3 Exploded View of JUDO-PROFiMAT-Plus backwash protective filter JPF-Plus-A/T/TP 1 1/2" - 2"



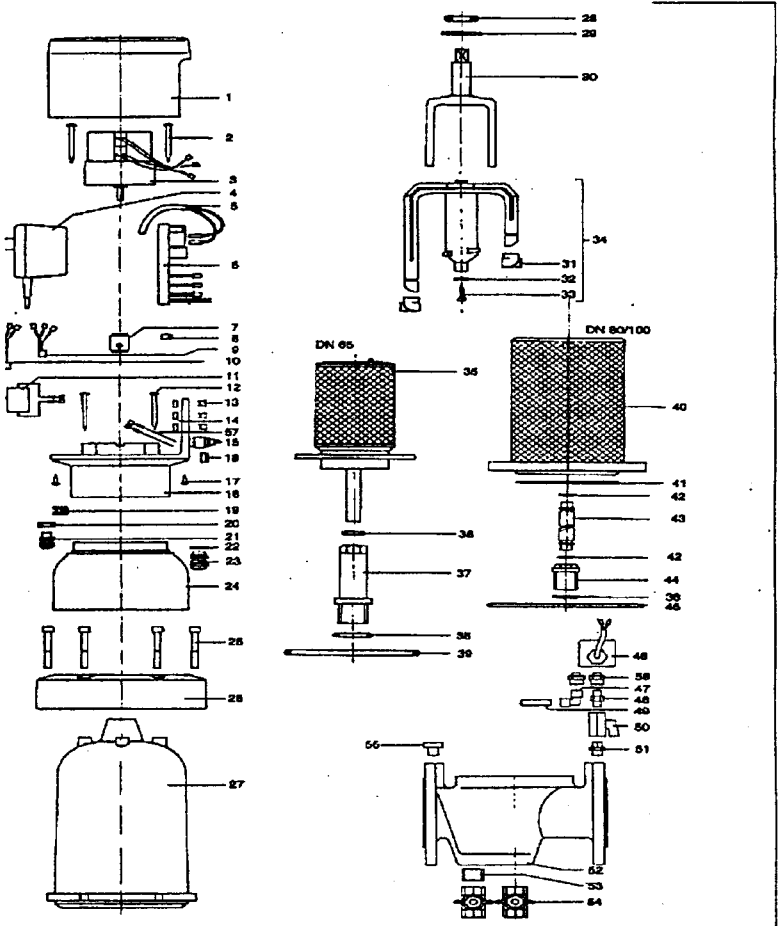
7.4 List of Spare Parts of JUDO-PROFiMAT-Plus backwash protective filter JPF-Plus-A/T/TP 1 1/2"-2"

| Item | Name | Order No. | JPF-A/T | | JPF-A/TP | |
|------|-------------------------------|-----------|---------|------------------------------|----------|------------------------------|
| | | | Piece | With floating contacts piece | Piece | With floating Contacts piece |
| 1 | Housing cover | 1607204 | 1 | 1 | 1 | 1 |
| 2 | Sheet-metal screw 3.9 x 2.2 | 1650191 | 4 | 4 | 4 | 4 |
| 3 | Synchronous motor | 2020111 | 1 | 1 | 1 | 1 |
| 4 | Plug power supply unit | 2607212 | 1 | 1 | 1 | 1 |
| 5 | Cable | 2020071 | | 1 | | 1 |
| 6 | Electronics | 2607208 | 1 | | 1 | |
| 6 | Electronics, floating | 8707010 | 1 | 1 | 1 | 1 |
| 7 | Motor flange | 2020110 | 1 | 1 | 1 | 1 |
| 8 | Threaded pin M 6 x 5 | 1607216 | 1 | 1 | 1 | 1 |
| 9 | HE contactor 200 lg | 2607245 | 1 | 1 | 1 | 1 |
| 10 | HE contactor 280 lg | 2607574 | 1 | 1 | 1 | 1 |
| 11 | Flat condenser | 2020044 | 1 | 1 | 1 | 1 |
| 12 | Sheet-metal screw C 3.9 x 45 | 1607213 | 4 | 4 | 4 | 4 |
| 13 | Assembly clip | 1607207 | 3 | 3 | 3 | 3 |
| 14 | Ring for assembly clip | 1500136 | 3 | 3 | 3 | 3 |
| 15 | Press key | 1500185 | 1 | 1 | 1 | 1 |
| 16 | Key button | 1120355 | 1 | 1 | 1 | 1 |
| 17 | Sheet-metal screw C 3.5 x 9.5 | 1650130 | 4 | 4 | 4 | 4 |
| 18 | Motor housing | 2607203 | 1 | | | |
| 18 | Motor housing | 2020105 | | 1 | 1 | |
| 18 | Motor housing | 2020103 | | | | 1 |
| 19 | Grommet | 1607215 | 1 | | | |
| 20 | Washer | 1440056 | | 1 | 1 | 2 |
| 21 | Cable connection | 1440057 | | 1 | 1 | 2 |
| 22 | Hexagonal Nut M 8 | 1650010 | 1 | 1 | 1 | 1 |
| 23 | Cable connection | 1609447 | 1 | 1 | 1 | 1 |
| 24 | Housing top 1 1/2" - 2" | 2607507 | 1 | 1 | 1 | 1 |
| 24 | Housing top 1 1/2" SMW | 2020020 | 1 | 1 | 1 | 1 |
| 24 | Housing top 2" SMW | 2020021 | 1 | 1 | 1 | 1 |
| 25 | Mounting screw M 6 x 45 | 1607417 | 6 | 6 | 6 | 6 |
| 26 | Shrouding ring | 2020102 | 1 | 1 | 1 | 1 |
| 27 | Filter hood | 2020025 | 1 | 1 | 1 | 1 |
| *28 | O-ring 15 x 3.2 | 1607420 | 1 | 1 | 1 | 1 |
| *29 | O-ring 28 x 2.5 | 1200027 | 1 | 1 | 1 | 1 |
| 30 | Driver | 2020034 | 1 | 1 | 1 | 1 |
| *31 | Nozzle | 1607104 | 2 | 2 | 2 | 2 |

| | | | | | | |
|-----|------------------------------|---------|---|---|---|---|
| 32 | Suction-pipe gasket | 1607113 | 1 | 1 | 1 | 1 |
| 33 | Sheet-metal screw C 3.5 x 13 | 1607114 | 1 | 1 | 1 | 1 |
| 34 | Suction pipe, complete | 2607535 | 1 | 1 | 1 | 1 |
| *35 | Screen MW 0.10 mm | 2607136 | 1 | 1 | 1 | 1 |
| 36 | O-ring 12 x 3 | 1607110 | 1 | 1 | 1 | 1 |
| 37 | Connecting piece | 1607572 | 1 | 1 | 1 | 1 |
| 38 | O-ring 26 x 3 | 1607111 | 1 | 1 | 1 | 1 |
| *39 | O-ring 113.67 x 5.33 | 1607112 | 1 | 1 | 1 | 1 |
| 40 | Filter bottom | 2607102 | 1 | 1 | 1 | 1 |
| 41 | Profiled flange gasket | 1200230 | 1 | 1 | 2 | 2 |
| 42 | Differential pressure switch | 1500135 | | | 1 | 1 |
| 43 | Double nipple 1/8" | 1440076 | | | 2 | 2 |
| 44 | Mounting screw M 8 x 30 | 1607116 | 4 | 4 | | |
| 44 | Mounting screw M 8 x 50 | 1650122 | | | 4 | 4 |
| 45 | Intermediate flange | 2020059 | | | 1 | 1 |
| 46 | Disk A 8.4 | 1607125 | 4 | 4 | 4 | 4 |
| 47 | Hexagonal Nut M 8 | 1607117 | 4 | 4 | 4 | 4 |
| 48 | Spherical faucet | 1607242 | 1 | 1 | 1 | 1 |
| 49 | Hose coupling | 1607157 | 1 | 1 | 1 | 1 |
| 50 | Press-key cable | 2020243 | 2 | 2 | 2 | 2 |

*Parts subject to wear
SMW = Special Mesh Size

7.5 Exploded View of JUDO-PROFiMAT backwash protective filter JPF-Plus-A/T/TP 2 1/2" - 3" - 4"



7.6 List of Spare Parts of JUDO-PROFiMAT backwash protective filter JPF-A/T/TP 2 1/2" - 3" - 4"

| Item | Name | Order No. | JPF-A/T | | JPF-A/TP | |
|------|-----------------------------------|-----------|---------|-----------------------|----------|-----------------------|
| | | | Piece | With Floating Contact | Piece | With Floating Contact |
| 1 | Housing cover | 1607204 | 1 | 1 | 1 | 1 |
| 2 | Sheet-metal screw C 3.9 x 22 | 1650191 | 4 | 4 | 4 | 4 |
| 3 | Synchronous motor | 2020111 | 1 | 1 | 1 | 1 |
| 4 | Plug power supply unit | 2607212 | 1 | 1 | 1 | 1 |
| 5 | Cable | 2020071 | | 1 | | 1 |
| 6 | Electronics | 2607208 | 1 | | 1 | |
| 6 | Electronics, floating | 8707010 | | 1 | | 1 |
| 7 | Motor flange | 2020110 | 1 | 1 | 1 | 1 |
| 8 | Threaded Pin M 6 x 5 | 1607216 | 1 | 1 | 1 | 1 |
| 9 | HE contactor 200 mm | 2607245 | 1 | 1 | 1 | 1 |
| 10 | HE contactor 280 mm | 2607574 | 1 | 1 | 1 | 1 |
| 11 | Flat condenser | 2020044 | 1 | 1 | 1 | 1 |
| 12 | Sheet-metal screw C 3.9 x 45 | 1607213 | 4 | 4 | 4 | 4 |
| 13 | Assembly clip | 1607207 | 3 | 3 | 3 | 3 |
| 14 | Ring for assembly clip | 1500136 | 3 | 3 | 3 | 3 |
| 15 | Press key | 1500185 | 1 | 1 | 1 | 1 |
| 16 | Key button | 1120355 | 1 | 1 | 1 | 1 |
| 17 | Sheet-metal screw C 3.5 x 9.5 | 1650130 | 4 | 4 | 4 | 4 |
| 18 | Motor housing | 2607203 | 1 | | | |
| 18 | Motor housing | 2020105 | | 1 | 1 | |
| 18 | Motor housing | 2020103 | | | | 1 |
| 19 | Grommet | 1607215 | 1 | | | |
| 20 | Washer | 1440056 | | 1 | 1 | 1 |
| 21 | Cable connection | 1440057 | | 1 | 1 | 2 |
| 22 | Hexagonal nut M 8 | 1650010 | 1 | 1 | 1 | 1 |
| 23 | Cable connection | 1609447 | 1 | 1 | 1 | 1 |
| 24 | Top of housing DN 65 | 2020023 | 1 | 1 | 1 | 1 |
| 24 | Top of housing DN 80 | 2020032 | 1 | 1 | 1 | 1 |
| 24 | Top of Housing DN 100 | 2020033 | 1 | 1 | 1 | 1 |
| 24 | Top of Housing DN 65 SMW | 2020022 | 1 | 1 | 1 | 1 |
| 24 | Top of Housing DN 80 SMW | 2020032 | 1 | 1 | 1 | 1 |
| 24 | Top of Housing DN 100 SMW | 2020033 | 1 | 1 | 1 | 1 |
| 25 | Mounting screw M 6 x 45 DN 65 | 1607417 | 6 | 6 | 6 | 6 |
| 25 | Mounting screw M 8 x 45 DN 80-100 | 1650208 | 16 | 16 | 16 | 16 |
| 26 | Shrouding ring DN 65 | 2020102 | 1 | 1 | 1 | 1 |
| 26 | Shrouding ring DN 80-100 | 2010181 | 1 | 1 | 1 | 1 |
| 27 | Filter hood DN 65 | 2020025 | 1 | 1 | 1 | 1 |
| 27 | Filter hood DN 80-100 | 2020038 | 1 | 1 | 1 | 1 |

| | | | | | | |
|-----|--|---------|---|----|---|---|
| *28 | O-ring 15 x 3.2 | 1607420 | 1 | 1 | 1 | 1 |
| *29 | O-ring 28 x 2.5 | 1200027 | 1 | 1 | 1 | 1 |
| 30 | Driver | 2020034 | 1 | 1 | 1 | 1 |
| 31 | Nozzle DN 65 | 1607104 | 2 | 2 | 2 | 2 |
| 31 | Nozzle DN 80-100 | 1120135 | 2 | 2 | 2 | 2 |
| *32 | Suction-pipe gasket DN 65 | 1607113 | 1 | 1 | 1 | 1 |
| 32 | Suction-pipe gasket DN 80-100 | 1200056 | 1 | 1 | 1 | 1 |
| 33 | Sheet-metal screw C 3.5 x 13 DN 65 | 1607114 | 1 | 1 | 1 | 1 |
| 33 | Sheet-metal screw C 4.2 x 9.5 | 1650125 | 1 | 1 | 1 | 1 |
| 34 | Suction pipe, complete DN 65 | 2607535 | 1 | 1- | 1 | 1 |
| 34 | Suction pipe, complete DN 80-100 | 2020040 | 1 | 1 | 1 | 1 |
| 35 | Strainer, complete MW 0.10 D 65 | 2607136 | 1 | 1 | 1 | 1 |
| 36 | O-ring 12 x 3 DN 65 | 1607110 | 1 | 1 | 1 | 1 |
| 37 | Connecting piece DN 65 | 2010018 | 1 | 1 | 1 | 1 |
| 38 | O-ring 26 x 3 | 1607111 | 1 | 1 | 1 | 1 |
| *39 | O-ring 113.67 x 5.33 DN 65 | 1607112 | 1 | 1 | 1 | 1 |
| *40 | Screen MW 0.10 DN 80-100 | 2010028 | 1 | 1 | 1 | 1 |
| 41 | O-ring 100 x 1.5 DN 80-100 | 1200124 | 1 | 1 | 1 | 1 |
| 42 | O-ring 12 x 3 DN 80-100 | 1607110 | 2 | 2 | 2 | 2 |
| 43 | Water-jet pipe DN 80 | 2010039 | 1 | 1 | 1 | 1 |
| 43 | Water-jet pipe DN 100 | 2010044 | 1 | 1 | 1 | 1 |
| 44 | Connecting piece DN 80-100 | 2010031 | 1 | 1 | 1 | 1 |
| 45 | O-ring 178 x 6 DN 80-100 | 1200058 | 1 | 1 | 1 | 1 |
| 46 | Differential pressure switch | 1500135 | | | 1 | 1 |
| 47 | Threaded pipe angle | 1440059 | | | 2 | 2 |
| 48 | Double nipple 1/4", removable | 1440058 | | | 1 | 1 |
| 49 | Differential pressure hose DN 65 | 2020050 | | | 1 | 1 |
| 49 | Differential pressure hose DN 80 - 100 | 2020062 | | | 1 | 1 |
| 50 | Spherical faucet 1/4" | 1610308 | | | 2 | 2 |
| 51 | Double nipple | 1450103 | | | 2 | 2 |
| 52 | Filter bottom DN 65 | 2020048 | 1 | 1 | | |
| 52 | Filter bottom DN 80 | 2020053 | 1 | 1 | | |
| 52 | Filter bottom DN 100 | 2020056 | 1 | 1 | | |
| 53 | Nipple | 2010012 | 1 | 1 | 1 | 1 |
| 54 | Spherical faucet | 1610004 | 2 | 2 | 2 | 2 |
| 55 | Plug 1/4" | 2290001 | 2 | 2 | | |
| 56 | Red nipple 1/4" - 1/8" | 1450104 | | | 2 | 2 |
| 57 | Press-key cable | 2020243 | 2 | 2 | 2 | 2 |

*Parts subject to wear