

Installation and Operating Instructions JUDO HELVETIA protective filter

Candle filter $\frac{1}{2}$ " – $1\frac{1}{4}$ "

Valid for: EU countries and Switzerland

Language: English

Attention:

Carefully read through the installation and operating instructions and safety information before installing and putting the unit into service.

These must always be issued to the owner/user.

Extended warranty period if a service agreement

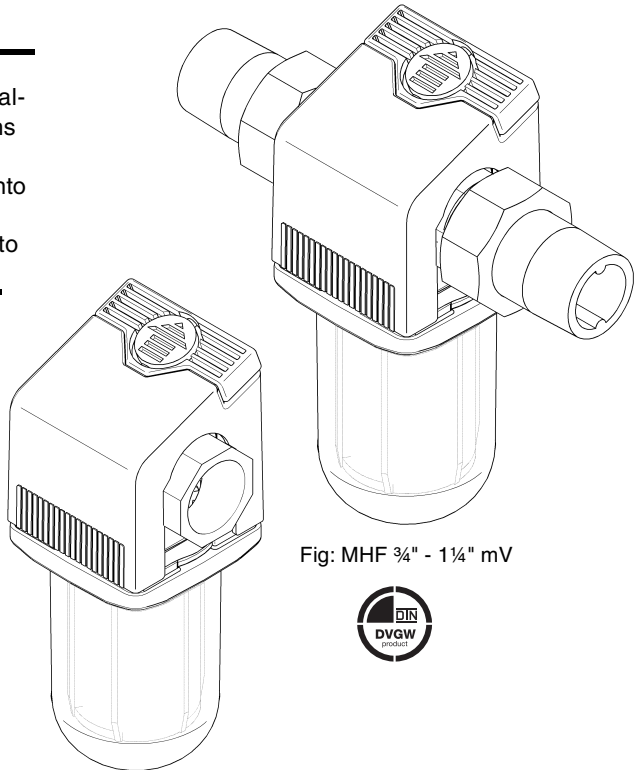


Fig: MHF $\frac{3}{4}$ " - $1\frac{1}{4}$ " mV



Fig: MHF $\frac{3}{4}$ " - $1\frac{1}{4}$ "



Table of Contents

1. Task	2
2. Installation	2
3. Data Sheet	3
4. Commissioning	3
5. Operation	4
6. External cleaning.....	4
7. Screen change.....	4
8. Warranty and Services.....	6
9. Spare Parts MHF ½" - 1¼"	7
10. Customer Service.....	8

1. Task

(see also DIN 1988 Part 2 Para 8.1.) Small solid particles such as rust and grains of sand are flushed into the domestic installation with the drinking water. Such particles can cause foreign-body induced corrosive damage in the form of dishing and pitting in the pipes and lead to malfunctions in shower

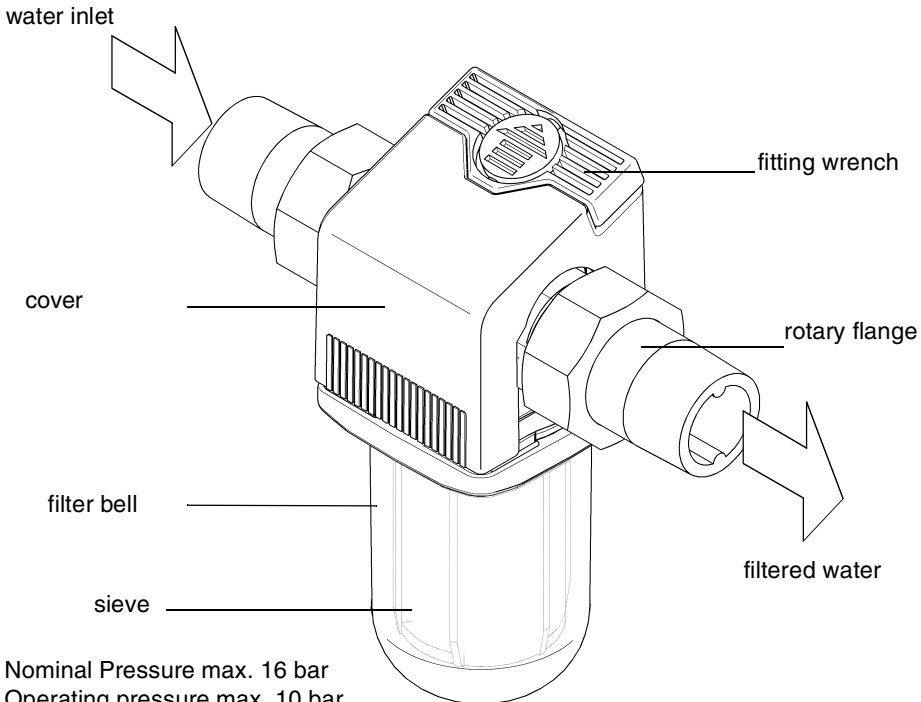
heads, fittings and controls as well as sensitive appliances. The candle filter prevents such phenomena to a large extent.

2. Installation

The candle filter must be installed in a dry, frostproof room with a floor drain. It can be installed kann in all standard drinking water pipes in any flwo direction.

Ensure that the arrow on the rotary flange matches the direction of flow of the water.

For convenient operation and maintenance/ servicing, the distance from the middle of the pipe to the wall should not be less than 60 mm and the distance from the middle of the pipe upwards should not be less than 140 mm.



Nominal Pressure max. 16 bar
 Operating pressure max. 10 bar
 Temperature max.30°C

Fig: MHF ½ - 1¼" mV

3. Data Sheet

Model	Order No.	Pipe connection	Nominal flow rate	Pressure loss with the new strainer
MHF 1/2" mV	8080018	1/2 Zoll	2,0 m ³ /h	0,2 bar
MHF 3/4" mV	8080019	3/4 Zoll	3,3 m ³ /h	0,2 bar
MHF 1" mV	8080020	1 Zoll	4,5 m ³ /h	0,2 bar
MHF 1 1/4" mV	8080021	1 1/4 Zoll	5,5 m ³ /h	0,2 bar
MHF 3/4"	8080015	3/4 Zoll	3,3 m ³ /h	0,2 bar
MHF 1"	8080010	1 Zoll	4,5 m ³ /h	0,2 bar
MHF 1 1/4"	8080011	1 1/4 Zoll	5,5 m ³ /h	0,2 bar

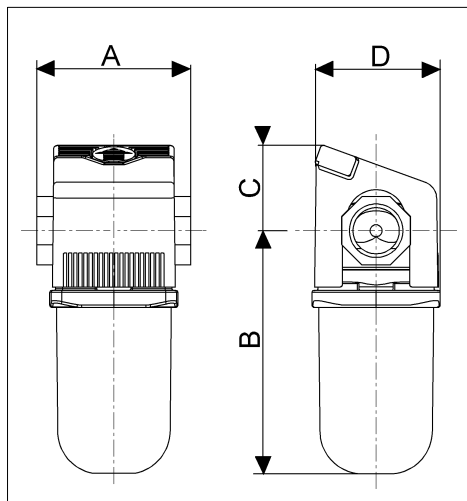


Fig. 1: Installed dimensions MHF

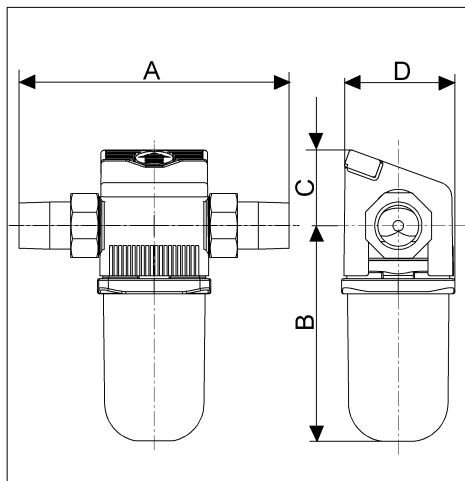


Fig. 2: Installed dimensions MHF mV

Modell	A	B	C	D
MHF 1/2" mV	180	145	40	75
MHF 3/4" mV	180	145	50	75
MHF 1" mV	195	150	50	75
MHF 1 1/4" mV	230	155	60	75
MHF 3/4"	90	145	50	75
MHF 1"	90	150	50	75
MHF 1 1/4"	110	155	60	75

4. Commissioning

The candle filter is put into service by opening the shut-off fittings. To vent the candle filter, the next drawing-off point downstream of the candle filter must be opened to its maximum opening. This drawing off of water automatically ventilates the candle filter.

5. Operation

The screen must be changed half-yearly, depending on the water flow quantity and the type and extent of coarse and fine-grained contaminations in the water.

Severe contaminations may necessitate replacement of the screen at shorter intervals.

Installation example

If the water pressure is up to 10 bar the candle filter is installed behind the water meter and backflow prevented upstream of any pressure reducer installed.

For water pressures above 10 bar the candle filter is installed downstream of the pressure reducer (Fig. 3).

There must be a shut-off facility upstream and downstream of the candle filter. This can be e.g. the main shut-off valve upstream of the candle filter or the water distribution shut-off fittings downstream of the candle filter. If there is no shut-off facility downstream of the candle filter, backflowing water can obstruct changing of the screen.

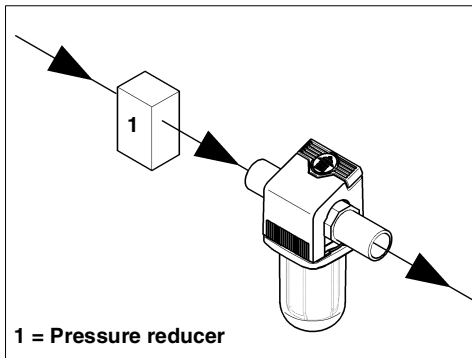


Fig. 3: Pressure reducer upstream of the unit

6. External cleaning

Only use water and gentle soap to clean the outside of the whole candle filter.

Solvents, solvent vapours and cleaning agents containing alcohol can lead to embrittlement and to the formation of severe surface cracks through to fractures in the plastic parts.

7. Screen change

Before opening the candle filter, close of the shut-off fittings upstream and downstream of the candle filter. Now use the integrated fitting wrench to remove the cover (Fig. 4). The fitting wrench is used to undo the four cheese head screws as shown in (Fig. 5). Pull the filter cover off from below and remove the old screen with the profiled flange seal. Insert a new screen with profiled flange seal (Fig. 6). Screw the filter cover with screen and profiled flange seal onto the rotary flange (Fig. 7). Then place the cover over the rotary flange with the wrench (Fig. 8). The shut-off fittings can now be opened.

When the candle filter is started up again it must be vented by briefly opening the next drawing-off point.

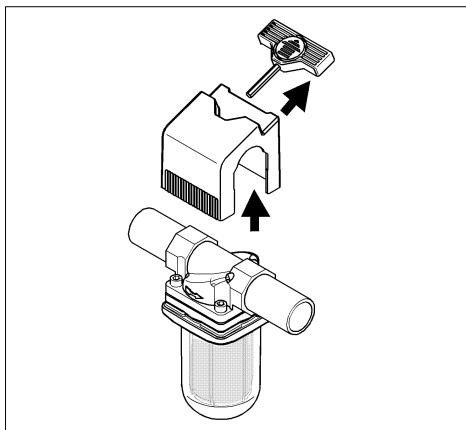


Fig. 4:

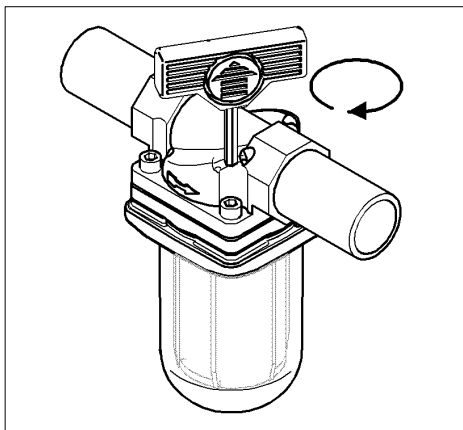


Fig. 7:

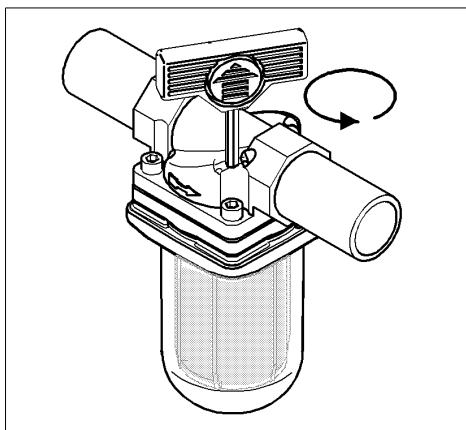


Fig. 5:

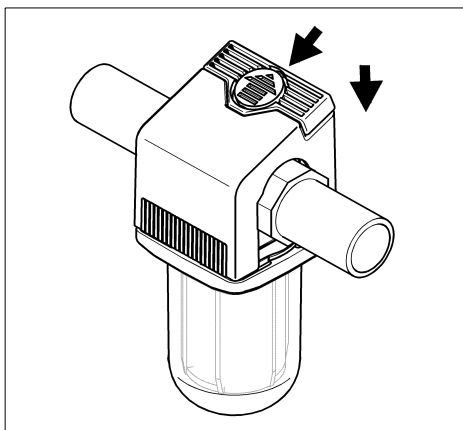


Fig. 8:

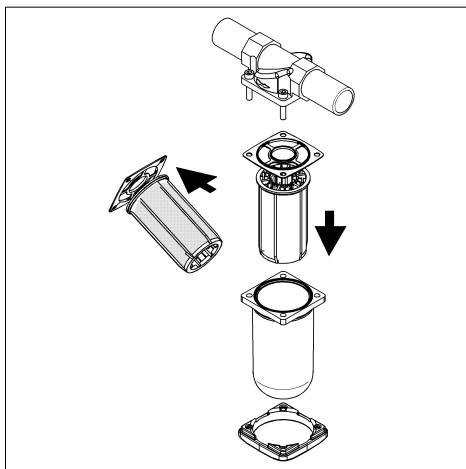


Fig. 6:

8. Warranty and Services

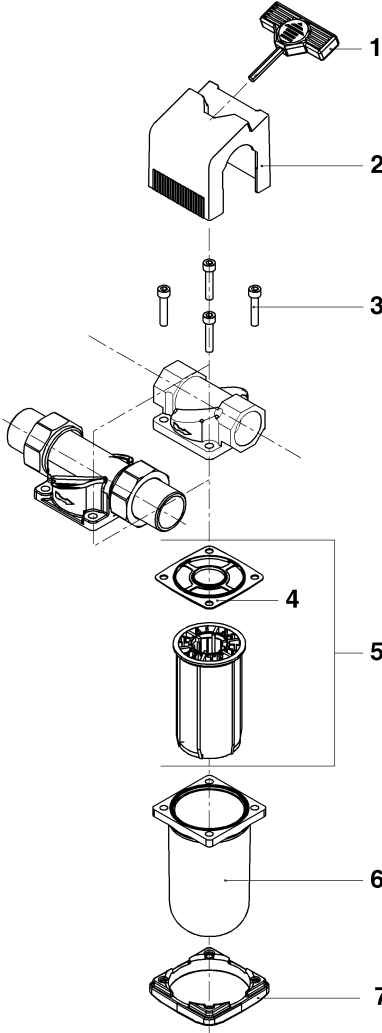
To receive your legal warranty rights, under DIN 1988, Part 8, it is necessary for the "...replacement of the filter insert according to the manufacturer's maintenance instructions ..." (i.e. every 6 months) and this must be carried out "...under operating conditions, for hygienic reasons however at intervals of less than 6 months ...".

Regular servicing is indispensable in order to continue to achieve a successful process for many years after the unit is put into service. In the building services sector this is covered by DIN 1988, Part 8.

A servicing agreement is the best way to ensure a good operating function beyond the warranty period.

Wherever possible, the regular servicing work and supply with consumables and wearing materials, etc. should be carried out by the specialist trade or the factory's customer service department.

9. Spare Parts MHF 1/2" - 1 1/4"

	Pos.	Designation (Recommended average replacement interval for wearable parts [*])	Piece(s)	Order No.	VE ¹⁾ /Piece
	1	Assembly place	1	2070049	7
	2	Flange cover 1/2"	1	2080049	13
	2	Flange cover 3/4"	1	2080012	13
	2	Flange cover 1"	1	2080004	13
	2	Flange cover 1 1/4"	1	2080005	13
	3	Cheese head screw M6x30	4	1650209	2
	4	Profile flange seal	*	1200218	5
	5	Sieve	*	8080030	36
	6	Filter bell	1	1120308	31
	7	Flange	1	1420013	20

1) VE = Unit of Billing

Replacement interval * = 1/2 year

Extended warranty period if a maintenance agreement is concluded!

10. Customer Service



JUDO Wasseraufbereitung GmbH

Postfach 380 • D-71351 Winnenden
 Tel. +49 (0)7195/6 92-0 • Fax: +49 (0)7195/6 92-188
 e-mail: info@judo-online.de • www.judo-online.de



JUDO France S.à.r.L

76 Rue de la Plaine des Bouchers • Technosud • F-67100 Strasbourg
 Tel. +33 (0)3 88 65 93 94 • Fax +33 (0)3 88 65 98 49
 e-mail: info@judo.fr • www.judo.fr



JUDO BeNeLux

Kerkstraat 1 / 1 Rue de l'Eglise • B-1780 Wemmel
 Tel. +32 (0)24 60 12 88 • Fax +32 (0)24 61 18 85
 e-mail: info@judo-online.be • www.judo-online.be



JUDO Austria

Zur Schleuse 5 • A-2000 Stockerau
 Tel. +43 (0)2266 / 6 40 78 • Fax +43 (0)2266 / 6 40 79
 e-mail: info@judo-online.at • www.judo-online.at

Installed by:

<p>JUDO BIOQUELL-SOFT Softener unit reduces water hardness, e.g. to hardness range 2.</p>	<p>JUDO ZEWA WATER STOP Central water safety fitting. Stops water flow in the event of water pipe bursts and detects leaks.</p>	<p>JUDO BIostat-COMBI / -COMBIMAT The perfect combination of hygiene unit and lime protection unit. Prevents your installation from lime sedimentation and reduces morbid germs such as Legionella.</p>
<p>JUDO HEIFI-TOP Heating and rinse filter for the removal of sludge and gas deposits. Ideal in combination with JUDO HEIFI-FÜL.</p>	<p>JUDO JULIA Metering pump for JUL mineral solution against corrosion (brown water) and limescale deposits.</p>	<p>JUDO HEIFI-FÜL Automatic heating after supply station for compliance with DIN EN 1717, ideal in combination with JUDO HEIFI-TOP.</p>

All the illustrations, dimensions and information for the different models are those valid on the date of printing. All rights are reserved for modifications as a result of technical progress or further developments. Claims with regard to models or products are excluded.

1701469 • 2005/06