

Installation and Operating Instructions JUDO Backwash Protective Filter

JRSF 2½" - 4" (DN65-DN100)

Valid for: EU countries and Switzerland

Language: English

Attention:

Carefully read through the installation and operating instructions and safety information before installing and putting the unit into service.

These must always be issued to the owner/user.

Prolongated guarantee period if a maintenance contract has been concluded!



Fig.: JRSF 2½" - 4" (DN65-DN100)



Application

The JRSF backwash protective filter removes all coarse/ sediments and fine grained impurities which cause pitting in cold

and hot water supply piping that may cause or lead to the malfunctioning of fittings and control elements, as well as sensitive appliances.

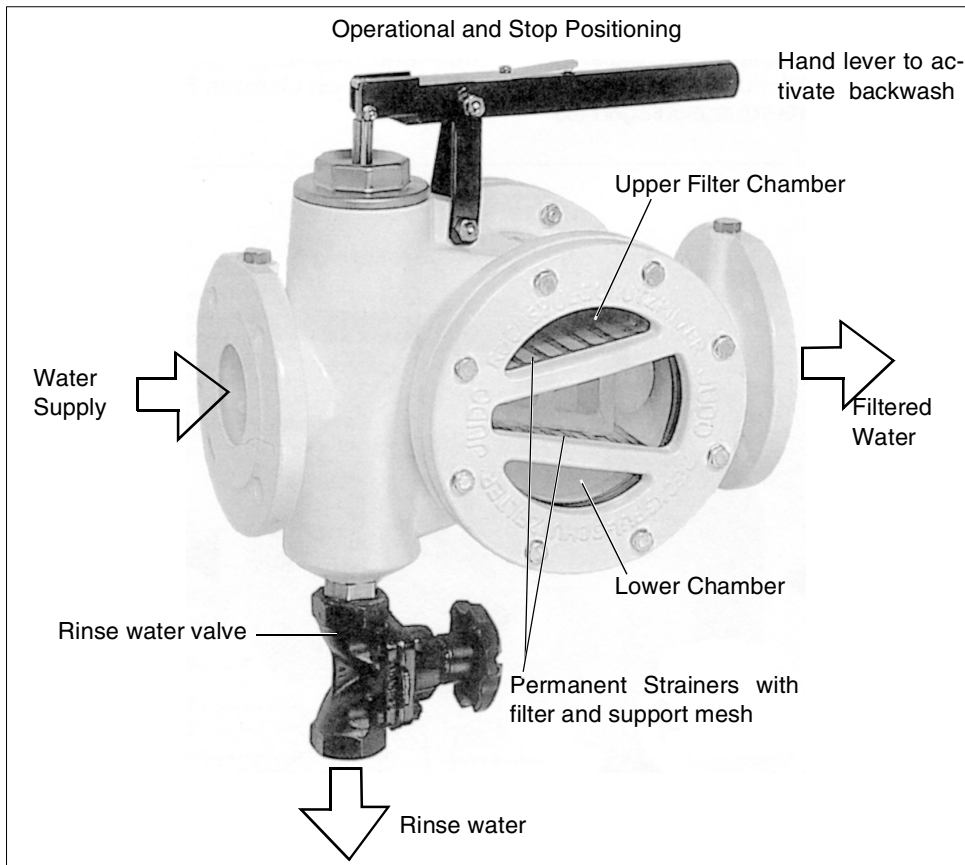


Fig. 1: Application for JRSF 2½" - 4" (DN65-DN100)

Nominal pressure 145 psi (10 bar)

Maximum temperature 86° F (30°C)

Operating pressure 22 - 145 psi (1.5 bar - 10 bar)

Model	Order No.	Pipe connection	Water Flow	Pressure loss after backwash	Installation length
JRSF 2½" (DN65)	8102021	2.5 in	145.3 gpm (33 m³/h)	2.84 psi (0.2 bar)	14.57 in (370 mm)
JRSF 3" (DN80)	8102022	3 in	167.3 gpm (38 m³/h)	2.84 psi (0.2 bar)	14.57 in (370 mm)
JRSF 4" (DN100)	8102023	4 in	225.4 gpm (58 m³/h)	2.84 psi (0.2 bar)	16.3 in (414 mm)

Standard filter screen: 100 µ (0.1 mm)

Also available with the following sizes: 30 µ (0.03 mm), 50 µ (0.05 mm), 320 µ (0.32 mm), 500 µ (0.5 mm), 1000 µ (1 mm), 1500 µ (1.5 mm), 2000 µ (2 mm)

Installation

The JRSF backwash protective filter should be installed in a dry and frost resistant location with a floor drain.

It can be installed in galvanized steel pipes, copper or pvc pipelines in any direction of flow.

To ensure easy operation and maintenance the indicated distances/ measurements must be observed. A connection for waste

water must be conducted as per the local plumbing code of the designated country (for example, a floor drain) so that the backwash water can run off.

When installing the protective filter in vertical pipelines, the backwash water is rerouted towards the bottom by mounting an.

Elbow at the discharge nozzle.

Tense free installation to be observed!

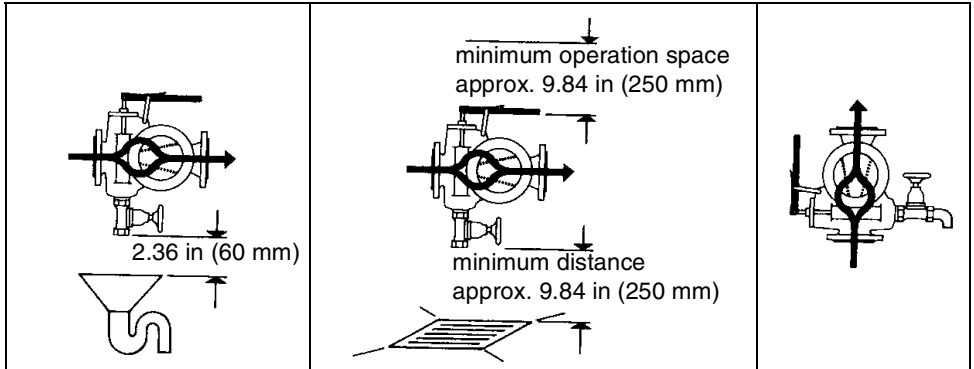


Fig. 2: Installation examples of JRSF 2 1/2" - 4" (DN65-DN100)

Example of installation:

3 Installation examples of JRSF backwash protective filter.

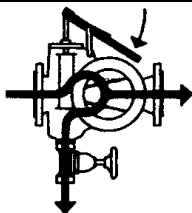
<p>Example Nr. 1</p> <p>At the water meter¹ and backflow PREVENTER or in order to protect the entire house water installation.</p>	
<p>Example Nr. 2</p> <p>If additionally the backflow PREVENTER is to be protected.</p>	
<p>Example Nr. 3</p> <p>If additionally, the water meter is to be protected.</p>	

1. Installation before the water meter is permitted only with the consent of the local water supplier!

Operation:

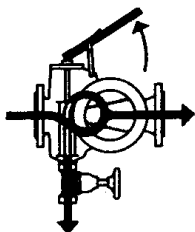
Depending on the water flow volume and the kind and extent of deposits, fine-grained impurities observed through the sight glass, JUDO backwash protective filter is to be

flushed back at 1 to 3 month intervals, **un- less serious pollutants necessitate back- washing at shorter intervals**. Backwas- hing is done at full water tap pressure. Open the ball valve.



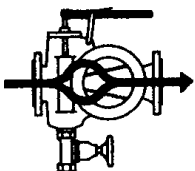
1 Backwashing the Lower Filter Chamber

Turn hand valve to one side for about 2 to 5 seconds until the stop is reached (at least ½ rotation). Subsequently turn the hand valve in the other direction. If deposits remain, re-peat this procedure several times.



2 Backwashing the Upper Filter Chamber

Lift Hand lever till stop and proceed as men- tioned under 1).



3 Operation

Remove Hand lever to middle position – Valve locked.

In case of high water pressure, it is advisab- le not to fully open the ball valve in order to reduce the consumption of flushing water.

Customer Service

We hope you have trouble-free operating system at all times. Should there be short- comings on occasion, or if you have any in- quiries, our customer service is at your dis- posal and will be happy to assist you – Contact number +49-7195-6920.

Warranty and Services

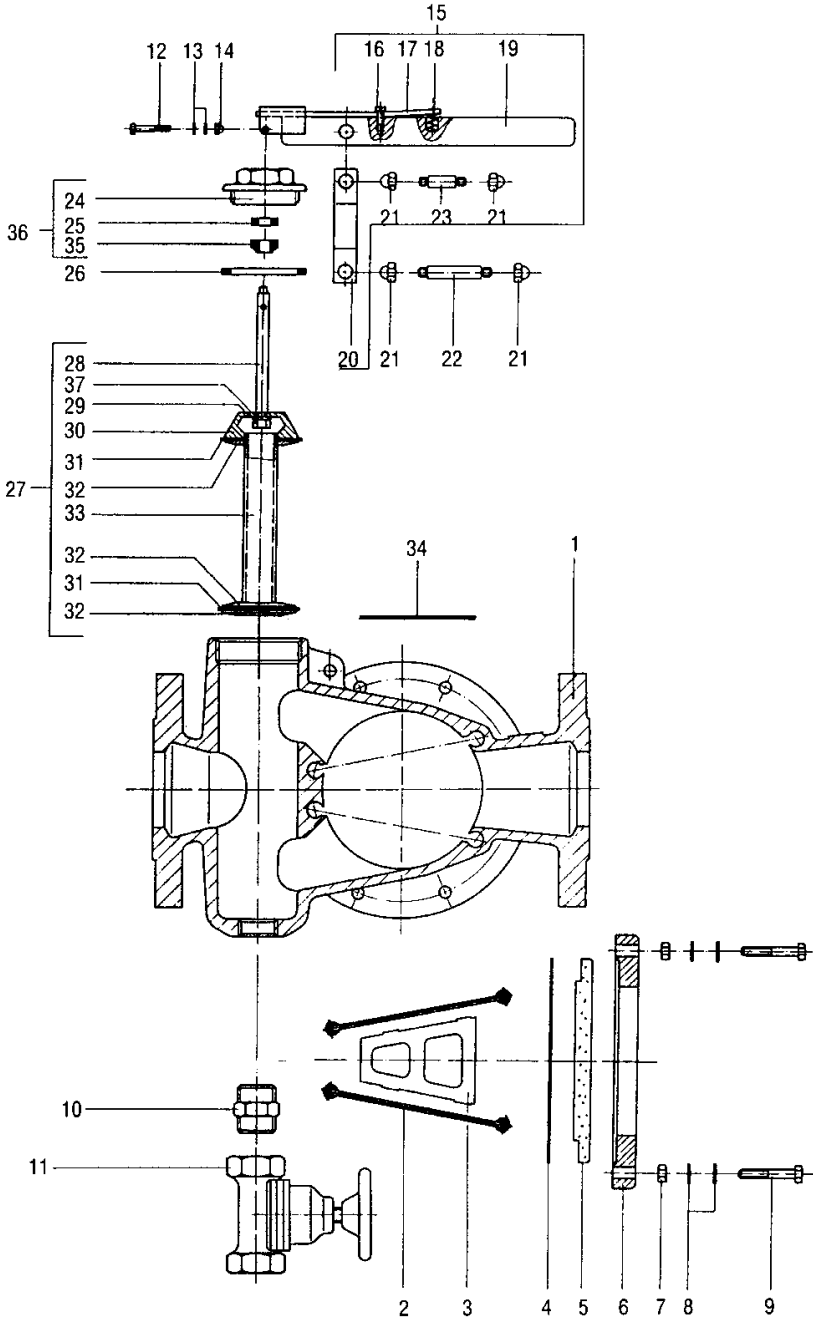
In order to comply with the legal warranty claim, according to DIN 1988, Part 8, it is necessary that the "... backwashing takes place at least every 2 months, after operat- ing conditions exist ...".

Regular servicing is indispensable in order to continue to achieve a successful process for many years after the unit is put into serv- ice. In the building services sector this is covered by DIN 1988, Part 8.

A servicing agreement is the best way to en- sure a good operating function beyond the warranty period.

Wherever possible, the regular servicing work and supply with consumables and wearing materials, etc. should be carried out by the specialist trade or the factory's cus- tomer service department.

Spare Parts JRSF 2½" - 4" (DN65-DN100)



List of Spare Parts JRSF 2½" - 4" (DN65-DN100)

Item	Designation (Recommended average replacement interval for wearable parts [*)	Piece(s)	2½" / 3" (DN65/80) Order No.	AU ¹⁾ / Piece	4" (DN100) Order No.	AU ¹⁾ / Piece
1	Housing 2½" (DN65)	1	2310038	1510	-	-
1	Housing 3" (DN80)	1	2310039	1582	-	-
1	Housing 4" (DN100)	1	-	-	2310037	1920
2	Strainer	**** 2	2030168	244	2030166	347
3	Filter gusset plate 2½" / 3" (DN65/80)	2	2621103	16	-	-
3	Filter gusset plate 4" (DN100)	4	-	-	2623103	28
4	Web seal	**** 2	1621104	14	1623104	19
5	Sight glass	**** 2	2621105	108	2623105	181
6	Cover	2	2621106	184	2623106	293
7	Cheese-head screw M8	16	1621107	1	1621107	1
8	Disk 8.4	32	1621108	2	1621108	2
9	Hexagonal screw M8x50	16	1621109	2	1623109	2
10	Double nipple	1	1621110	27	1623110	31
11	Short stroke slide	1	1621111	117	1623111	133
12	Hexagonal screw M4x30	1	1621112	2	1621112	2
13	Disk 4.3	2	1621113	1	1621113	1
14	Cup nut M4	1	1621114	1	1621114	1
15	Hand lever complete	1	2621115	136	2623115	139
16	Cheese-head screw M5x10	1	1621116	2	1621116	2
17	Locking lever	1	2621117	20	2621117	20
18	Spring	1	1621118	4	1621118	4
19	Hand lever	1	203 0039	115	203 0047	115
20	Back plate	2	2621120	17	2623120	24
21	Cup nut M8	4	1621121	1	1621121	1
22	Bolt 64 IG	1	2621122	20	2623122	21
23	Bolt 40 IG	1	2621123	20	2621123	20
24	Threaded flange	1	1621124	107	1623124	134
25	Lip seal	**** 1	1621125	4	162 1125	4
26	Flat gasket	**** 1	1200033	10	1200036	10
27	Slide valve complet	1	2050050	334	2623127	419
28	Valve spindle	1	2621128	43	2623128	45
29	Hexagonal nut M8	1	1607117	2	1607117	2
30	Head of slide valve	1	2621130	67	2623130	82
31	Gasket	**** 2	1200034	5	1200037	5
32	Washer	3	2621132	44	2623132	62
33	Connecting pipe	1	2621133	67	2623133	87
34	Identification plate 2½" (DN65)	1	1621134	11	-	-
34	Identification plate 3" (DN80)	1	1700104	11	-	-
34	Identification plate 4" (DN100)	1	-	-	1700144	11
35	Scrubber ring	**** 1	1621136	7	1621136	7
36	Threaded flange complete (Pos. 24, 25, 35)	1	2030042	137	2030046	164
37	Spring washer	1	1650019	1	1650019	1
	Replacement parts (twice) for pos. 2, 2/4 x Pos.3, 2 x Pos.4	1	2030160	492	2030162	759

1) AU = Accounting Unit

Replacement interval: **** = 4 years

Prolongated guarantee period if a maintenance contract has been concluded!



JUDO Wasseraufbereitung GmbH
 Postfach 380 • D-71351 Winnenden
 Tel. +49 (0)7195/6 92-0 • Fax: +49 (0)7195/6 92-188
 e-mail: info@judo-online.de • www.judo-online.de

All illustrations, dimensions and information for the different models are those valid on the date of printing. All rights are reserved for modifications as a result of technical progress or further developments. Claims with regard to models or products are excluded.

1701714 • 2006/08