

Installation and operating instructions JUDO PURE@TAP

Under-sink water filter

Language: English

Attention:

Carefully read through the installation and operating instructions and safety information before installing and putting the unit into service.

These instructions must always be issued to the owner/user.

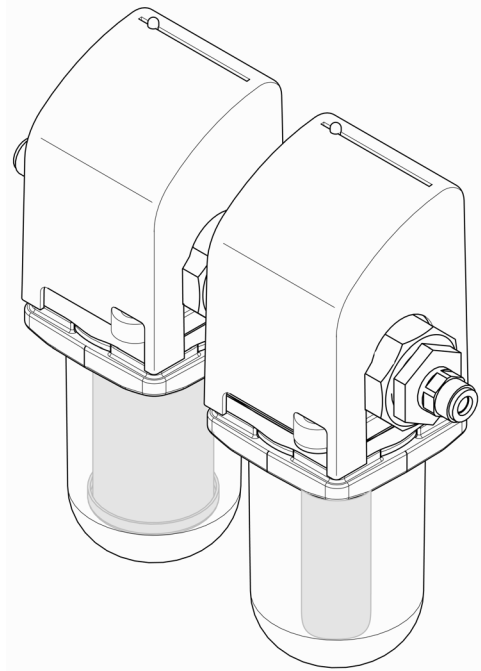


Fig.: JUDO PURE@TAP



Inquiries, orders, customer support

JUDO Wasseraufbereitung GmbH
P.O. Box 380
71351 Winnenden
Germany
e-mail: info@judo.eu
judo.eu

Address

JUDO Wasseraufbereitung GmbH
Hohreuschstraße 39 - 41
71364 Winnenden
Germany

Dear customer,

we would like to thank you for your confidence in us, which you have shown by purchasing this device. The product you have purchased is an under-sink water filter developed using state of the art technology.

This under-sink water filter is suitable for use in cold drinking water up to a maximum ambient temperature of 30 °C (86 °F).

The under-sink water filter operates on the basis of a 2-stage function principle with silver protection.

1st stage activated carbon:

Coarse particles, chlorine, organic compounds are removed from the water.

2nd stage micro-filtration:

The 0.2 µm fine pores of the hollow fibre membrane retain reliably numerous bacteria, fungi, parasites and fine particles larger than the pore diameter.

Each unit is thoroughly checked before delivery. Should difficulties nevertheless occur, please contact the responsible customer service. See back page.

Trademarks:

Trademarks used in this document are protected and registered trademarks of the respective holder.

© JUDO Wasseraufbereitung GmbH
71364 Winnenden
Germany

All rights reserved.

Reprints – even of extracts – is only permitted with special approval.

Table of contents

1. About this instruction manual..... 3

1.1 Used symbols..... 4

1.2 Safety indications and dangers due to non-compliance..... 4

1.3 Units used 4

2. Intended use 5

2.1 Water pressure..... 6

2.2 Notes on special dangers..... 6

3. Product indication 7

3.1 Intended purpose 7

4. Installation 7

4.1 General 7

5. Service..... 12

5.1 Commissioning..... 12

5.2 Functional description 12

5.3 Modifications / Changes / Spare parts..... 12

5.4 Stoppages 12

5.5 Replacing the cartridges 13

6. Faults 15

7. Maintenance..... 16

7.1 Cleaning..... 16

8. Warranty and services 16

9. Accessories 16

9.1 Faucet JUDO design..... 16

10. Data sheet 17

10.1 Type 17

10.2 Technical data..... 17

10.3 Installation dimensions..... 17

11. Spare parts..... 18

12. Customer service 20

1. About this instruction manual



(see chapter “Safety indications and dangers due to non-compliance”)

The instruction manual must be permanently available at the place of action of the under-sink water filter.

This instruction manual shall make it easier to become acquainted with the under-sink water filter and to make use of its intended application possibilities.

The instruction manual contains important information to use the under-sink water filter in a safe, appropriate and economical way.

It contains fundamental information, which must be observed during installation, operation and maintenance. The observance of these tips helps to avoid dangers, reduce repair costs and increase the reliability and service life of the under-sink water filter.

The instruction manual must be read and used by each person entrusted with carrying out the work on the under-sink water filter, for example:

- **Installation**
- **Operation**
- **Maintenance** (servicing, inspection, repair)

Installation and maintenance may only be carried out by personnel authorized by the manufacturer, who are capable of fulfilling the instructions given in the installation and operating instructions and the country-specific regulations.





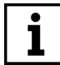
Apart from the instruction manual and the legally binding accident prevention provisions applicable in the country and place of use, the recognized specific technical regulations for safe and proper work must also be observed.

Therefore, this instruction manual must always be read by the fitter and the responsible skilled personnel/user before the installation, putting into service and maintenance.

Not only the general safety notes given in the chapter “Intended use” are to be observed, but also the special safety notes inserted under the other main items.

1.1 Used symbols

The safety notes contained in this instruction manual are labelled with the following symbols:

-  **ATTENTION**  Notes on existing dangers
-  Warning, electrical voltage
-  Tightening torques specified by the manufacturer
-  Tips for use and other informations

Notes directly attached to the under-sink water filter, e.g.

- flow direction (see fig. 1)
- type plate
- cleaning advice

must obligatorily be observed and kept in a fully legible condition.

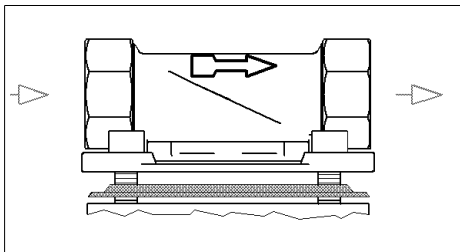


Fig. 1: Built-in rotary flange

1.2 Safety indications and dangers due to non-compliance

In detail, the non-compliance with the general danger symbols can result, for example, in the following risks:

- Failure of important functions of the under-sink water filter.
- Danger to persons due to electrical and mechanical effects.
- Danger to persons and the environment due to leaks.

Refrain from any safety-critical method of practice.

Non-compliance with this instruction manual and the safety information can not only result in dangers for persons but can also harm the environment and the under-sink water filter.

1.3 Units used

In derogation of the International System of Units (SI = System International), the following units are used:

Unit	Conversion
°F	°F = 9/5 °C + 32
bar	= 10 ⁵ Pa = 100 kPa = 0.1 N/mm ² = 14.5 psi

2. Intended use

The installation and operation of the under-sink water filter is subject to the always existing national regulations as they may be.

In addition to the operating instructions and the obliging regulations concerning accident prevention that is valid in the user country and the location of use, the approved specialist technical regulations concerning safe and skilled work, should also be observed.

It is absolutely essential that the manufacturer / supplier will be consulted before using water of a different quality, respectively water that contains additives.

This under-sink water filter is suitable for use in cold drinking water up to a maximum ambient temperature of 30 °C (86 °F).

The under-sink water filter has been developed and manufactured using state of the art technology and the approved safety regulations in Germany.

The under-sink water filter may only be used as described in the operating instructions. Any other application or application beyond that, is to be considered as not intended. Additional dangers exist in the case of not intended utilization and of non-compliance with the danger symbols and safety instructions. The manufacturer / supplier cannot be kept liable for any damages issuing from this. Solely the user bears the full risk.

The intended use also includes the observance of the operating instructions.

Before an use of the under-sink water filter beyond the application limits stated in the operating instructions the manufacturer / supplier has to be obligatorily talked with.

The under-sink water filters may only be used in a technical condition, free from defects, in accordance with the instruction, safety-conscious and danger-conscious with respect to the operating instructions!

Any functional defects are to be removed immediately!

2.1 Water pressure

The water pressure has to be between 1 bar (14.5 psi) and 3,45 bar (50 psi).

The water pressure must not fall below 1 bar (14.5 psi) as otherwise the operation can be impaired! If the filter is not maintained regularly an elevated pressure loss can come about and this can impair the filter function.



(see chapter “Safety indications and dangers due to non-compliance”)

At a **water pressure higher than 3,45 bar (50 psi)**, a pressure reducer has to be fitted before the under-sink water filter (see fig. 2).

In modern sanitary installations (in particular where single lever mixers are used), despite normal system pressure conditions, peak pressures of up to over 30 bar (435 psi) frequently occur. This can cause damages. The optimum operating pressure for the under-sink water filter is between 2 bar (29 psi) and 3,45 bar (50 psi). In this case the under-sink water filter works most economically.

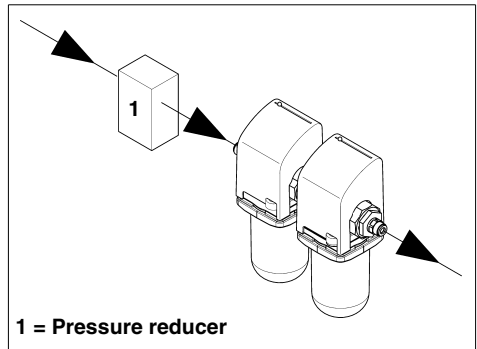


Fig. 2: Pressure reducer upstream of the unit

2.2 Notes on special dangers

2.2.1 Electrical equipment / installations



There must not be any electrical cables and devices underneath or in the immediate vicinity of the under-sink water filter!

Electrical devices / equipment that are not splash-water proof and are situated in the direct vicinity of the under-sink water filter may be damaged by water escaping from the under-sink water filter caused as a result of the device being operated improperly. In addition short circuits may come about if these electrical devices / equipment are / is connected to the electrical power supply. In the event of such cases, there is the danger of electric shock for persons. Therefore all the electrical devices / equipment situated in the direct vicinity should be splash-water proof, respectively comply with the statutory requirements for wet areas (NEMA type 12 / IP44).

3. Product indication



3.1 Intended purpose

This under-sink water filter is suitable for the use in cold drinking water up to a water temperature of maximum 30 °C (86 °F).



(see chapter “Safety indications and dangers due to non-compliance”)

Concerning use restrictions, see chapter “Intended use”, please.

4. Installation

4.1 General



(see chapter “Safety indications and dangers due to non-compliance”)

The installation may only be effected by qualified personal.

The chapter “Intended use” has to be observed imperatively!

For an easy operating and maintenance the indicated distances have to be kept categorically (see chapter “Installation dimensions”).

Appropriate mounting place:

Concerning its mounting place the under-sink water filter is intended to be installed directly under the sink (see chapter “Modifications / Changes / Spare parts”).

The protection towards the drinking water network has to be executed in accordance with the local regulations.

The water supply has to be closed before the installation and may only be reopened after the mounting having been completely finished. In case of non-observance water damages can arise.

If the water filter hasn't been put into service for longer time, the standing water should be removed. Open the faucet and let the water run during approximately five minutes.

When installing, all the parts have to be mounted. Due to non-observance, its function can be compromised.

When installing and replacing the cartridge pay attention to scrupulous cleanliness.

Through dirt on your hands, during the installation and during the replacement of parts, bacterial impurities of the drinking water installation can be caused.

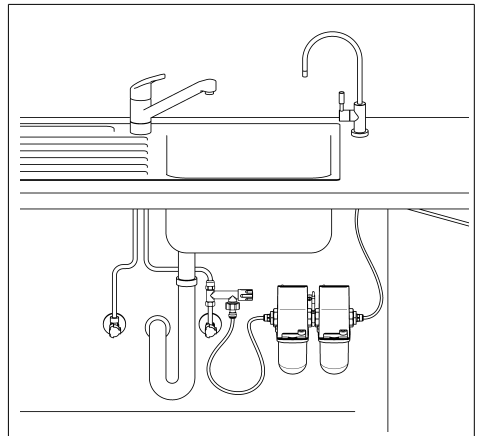


Fig. 3: JUDO PURE@TAP
Under sink installation

4.1.1 Requirements: Mounting place

The room where the unit is installed must be dry and frost free!

Unauthorised persons must not have access to the under-sink water filter!



(see chapter “Safety indications and dangers due to non-compliance”)

The ambient temperature must not exceed 30 °C (86 °F)!

Do not connect to the hot water system!

The under-sink water filter should not be exposed to direct sunlight, to avoid deformations in the plastic parts.

Before starting the mounting the water supply line has to be shut off at the corresponding water conduit. The under-sink water filter is to be installed into the cold water line before the water tap.

Pay attention to the flow direction (see fig. 4)!

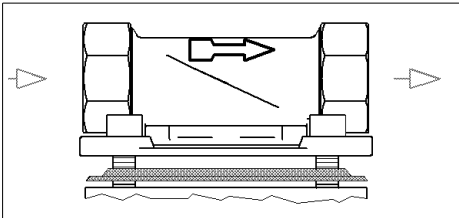


Fig. 4: Flow direction

4.1.2 Wall holder installation

There has to be enough space for the wall holder installation (see chapter “Installation dimensions”).

Mount the wall holder below the sink with the aid of the cross-head screws.

The wall holder has to be installed in a way that the under-sink water filter is freely approachable in order to effectuate the cartridge replacement.

4.1.3 Installation of the faucet (Accessories)

For the fixation of the faucet and the hoses sufficient space has to be available.

Concerning the installation of the faucet a round opening of a diameter of 13 mm (0.52 inch) is required. The opening should be in the sink or in the work disk, close to the sink.



When drilling an opening into porcelain or stainless steel the necessary operations have to be observed.

Installation:

- Drill the opening.
- Run the faucet (1.1) with the escutcheon (1.2) downwards through the opening.
- Screw together from the bottom the rubber washer (1.3), the locating washer (1.4) and the star washer (1.5) with the hexagon nut (1.6).
- Tighten carefully.
- Connect the hose adaptor 7/16"-24 UNS (1.7) to the faucet (1.1).
- Tighten carefully.

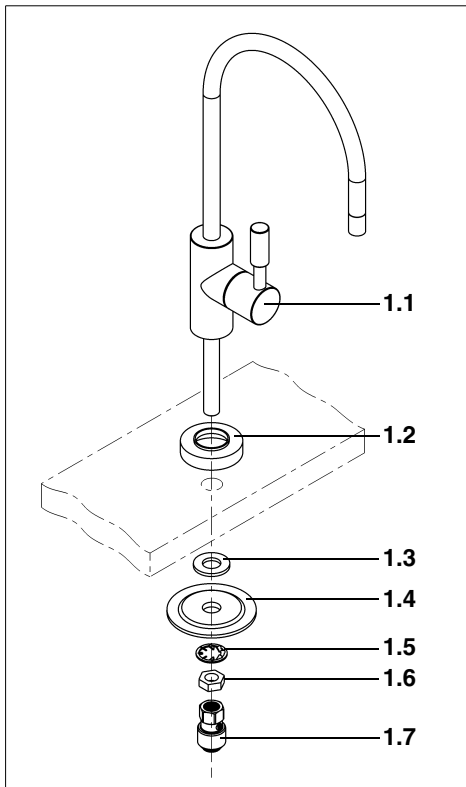


Fig. 5: Robinet avec kit de raccordement

1.1 Faucet

1.2 Escutcheon with O-ring

1.3 Rubber washer

1.4 Locating washer

1.5 Star washer

1.6 Hexagon nut

1.7 Hose adaptor 7/16"-24 UNS

4.1.4 Mounting of the fresh water supply line

All the lines connected with this device may only be mounted on cold water lines.

- Close the water supply at the angle valve (see fig. 8).
- Mount the angled inlet valve tightly on this angle valve.
- Mount the hose adaptor on the angled inlet valve.

4.1.5 Installation of the under-sink water filter

Hang the under-sink water filter into the wall holder.

Pay attention to the flow direction (see fig. 6)!

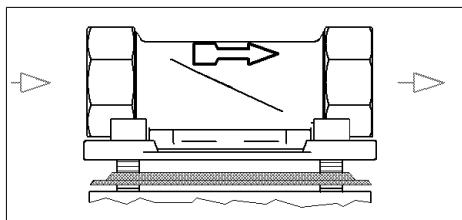


Fig. 6: Flow direction

Mount both hose adaptors on the under-sink water filter.

Connect the under-sink water filter via the hoses with the angled inlet valve and the faucet.

The hoses have accordingly to be cut short.

Open carefully the cold water line and the faucet so that the air can escape from the system. The microfiltration module must also be vented via the bleed screw. The bleed screw must be slightly unscrewed so that the air can escape. Retighten the bleed screw (see fig. 7).

It has to be flushed till the clear water will run off.

Re-close the faucet.

Particles of activated carbon may become dislodged from the cartridge during installation. This has no bearing on the filter function and only underlines the efficiency of the cartridge type used. Should these particles prove to be an optical disturbance, please simply rinse the cartridge for a few minutes before installing the micro filtration cartridge.

Setting of the filter change indicator:

Move the indicator button on the cover to the next filter change point-in-time (filter change every 4 - 6 months at the latest).

The under-sink water filter is ready for service.

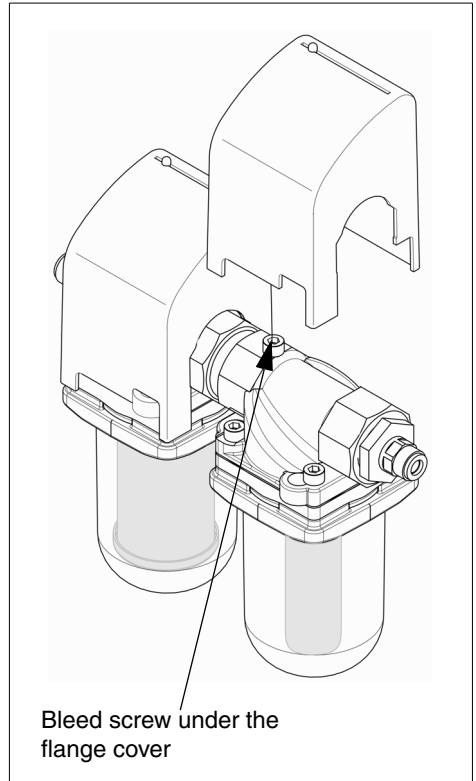


Fig. 7: Bleed screw

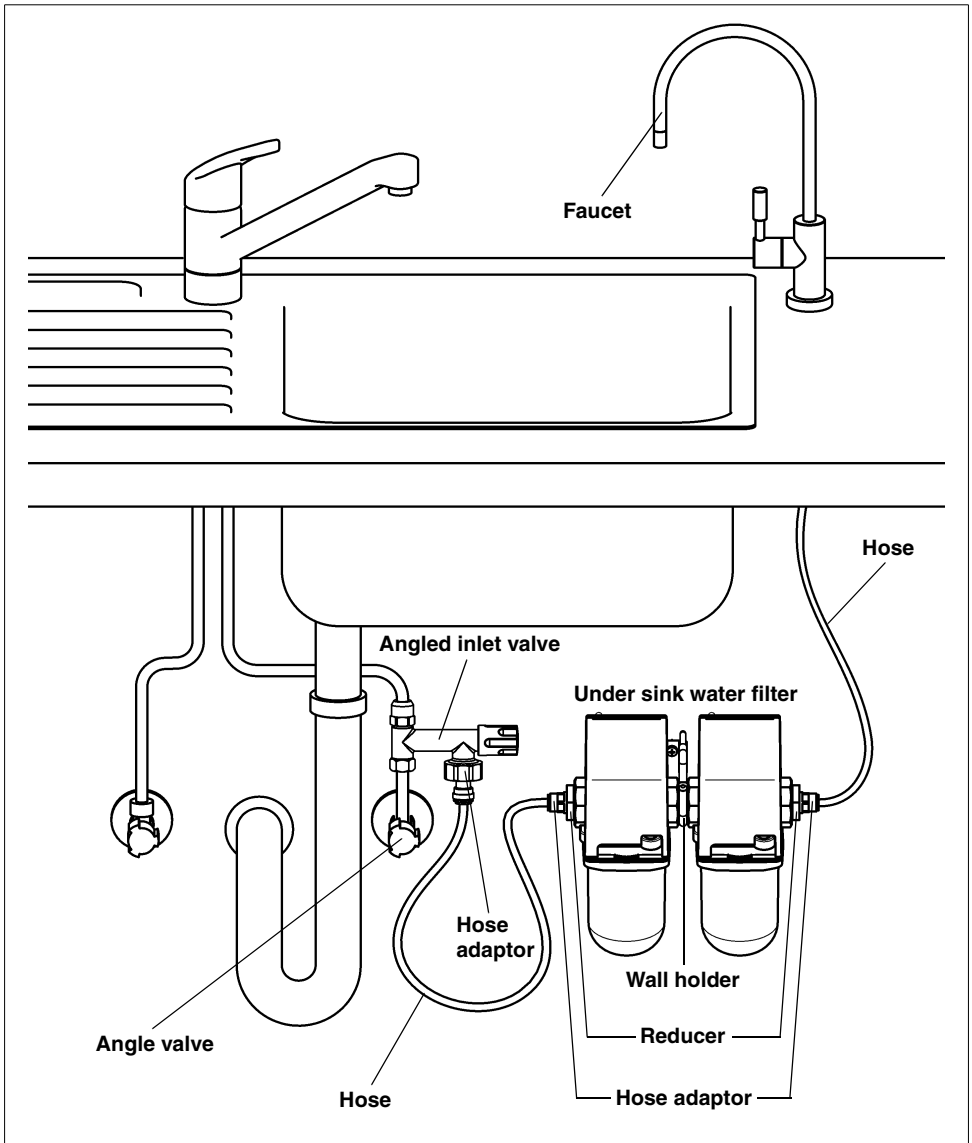


Fig. 8: Installation

5. Service



ATTENTION

(see chapter “Safety indications and dangers due to non-compliance”)

Always observe the chapter “Intended use”!

5.1 Commissioning

Before starting up (initial putting into service or start-up after maintenance work), **fill** the JUDO PURE@TAP with water and **vent!**

- 1 Slowly open the water shut-off valve and the faucet to vent the system.
- 2 Slightly loosen the bleed screw as the microfiltration cartridge must also be vented.
- 3 Retighten the bleed screw once all the air has been evacuated (see fig. 7).
- 4 Continue rinsing with at least 3 liters of water (1 minute at nominal flow) or until the water is clear.
- 5 Close the faucet.
- 6 Place the indicator button on the flange cover for the next filter cartridge replacement (replacement of the cartridge every 4 - 6 months at the latest).
- 7 Verify immediately the tightness and check again a few hours later.

5.2 Functional description

The under-sink water filter:

- In accordance with the standard NSF / ANSI 42 for the reduction of chlorine and the improvement of taste and odor.
- In accordance with the standard NSF / ANSI 42 for the reduction of germs.
- Removes bacteria, fungi, parasites, insecticides, herbicides, phenols, ...
- Do not use with water of unknown or doubtful microbiological quality without adequate disinfection.

Water filtration in the kitchen to generate

treated drinking water.

Ideally suited for the preparation of drinks and cooking water.

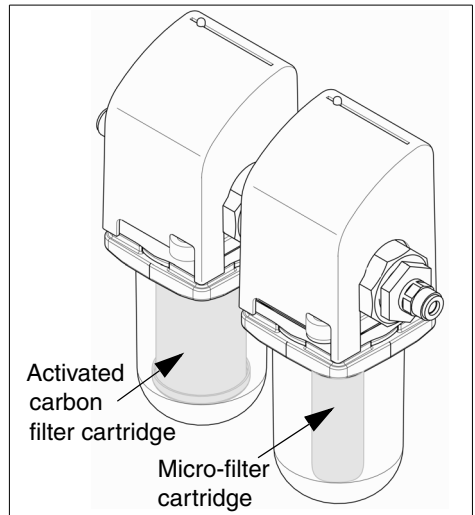


Fig. 9: Functional description

5.3 Modifications / Changes / Spare parts



ATTENTION

(see chapter “Safety indications and dangers due to non-compliance”)

Only original spare parts are to be used!

Independent modifications and changes are prohibited for safety reasons! Those can impair the function of the under-sink water filter, they can lead to leaks and in extreme cases can make the under-sink water filter burst.

5.4 Stoppages



ATTENTION

(see chapter “Safety indications and dangers due to non-compliance”)

If an under-sink water filter is unscrewed, observe the chapter “Intended use”!

5.5 Replacing the cartridges

- 1 Close the cold water supply shut-off valve or the water filter shut-off valve.
- 2 Open the faucet to remove the water pressure.
- 3 Remove the JUDO PURE@TAP water filter: Press the clamping ring of the hose adapter back and remove the hoses from the unit. Remove the water filter from the wall-mounting.
- 4 Remove the flange cover(s) upward (see fig. 11).
- 5 Use an Allen key to loosen all four cylinder head screws.
- 6 Turn the filter housing to the left up to the limit stop and pull it off downward.
- 7 **Only every 4 years:** Remove and replace the profiled flange seal. The profiled side of the seal must be pointing towards the flange (see fig. 10). Failure to do so can lead to leakage and water damage.

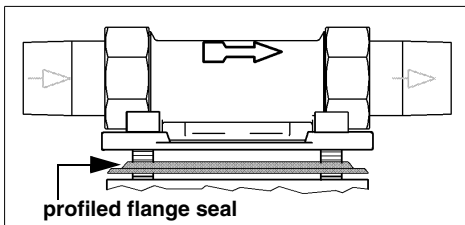


Fig. 10: Built-in rotary flange

- 8 Remove the used replacement cartridge.
- 9 Clean the seat of the cartridge in the housing using the disinfectant cloth provided.
IMPORTANT: Do not touch any plastic parts, especially the inside of the filter housing, or the cartridge, with your bare hands.
- 10 Insert the new replacement cartridge in the built-in rotary flange and press in up to the limit stop.
- 11 Insert the cylinder head screws of the

filter housing into the bayonet openings of the built-in rotary flange, turn to the right up to the limit stop.

- 12 Use an Allen key to tighten all four cylinder head screws



Select the tightening torque (approx 4 Nm) so that the seal closes and the water filter is not damaged or stressed/distorted!

- 13 Replace the flange cover(s).
- 14 Set the filter-change indicator: Move the indicator button on the flange cover to the next filter change point-in-time (filter change every 4 - 6 months at the latest).
- 15 Hang the JUDO PURE@TAP water filter into the wall holder and connect the hoses and adapters.
- 16 Open the cold water shut-off valve and the water filter shut-off valve.
- 17 Briefly open the nearest faucet and undo the bleed screw to vent the water filter.



Particles of activated carbon may become dislodged from the cartridge during flushing. This has no bearing on the filter function and only underlines the efficiency of the cartridge type used.

Should these particles prove to be an optical disturbance, please simply rinse the activated carbon block filter cartridge for a few minutes before installing the micro-filtration cartridge at the next required cartridge change.

Always keep the filter elements in the following order in flow direction:

1. Activated carbon filter cartridge
2. Micro-filter cartridge!

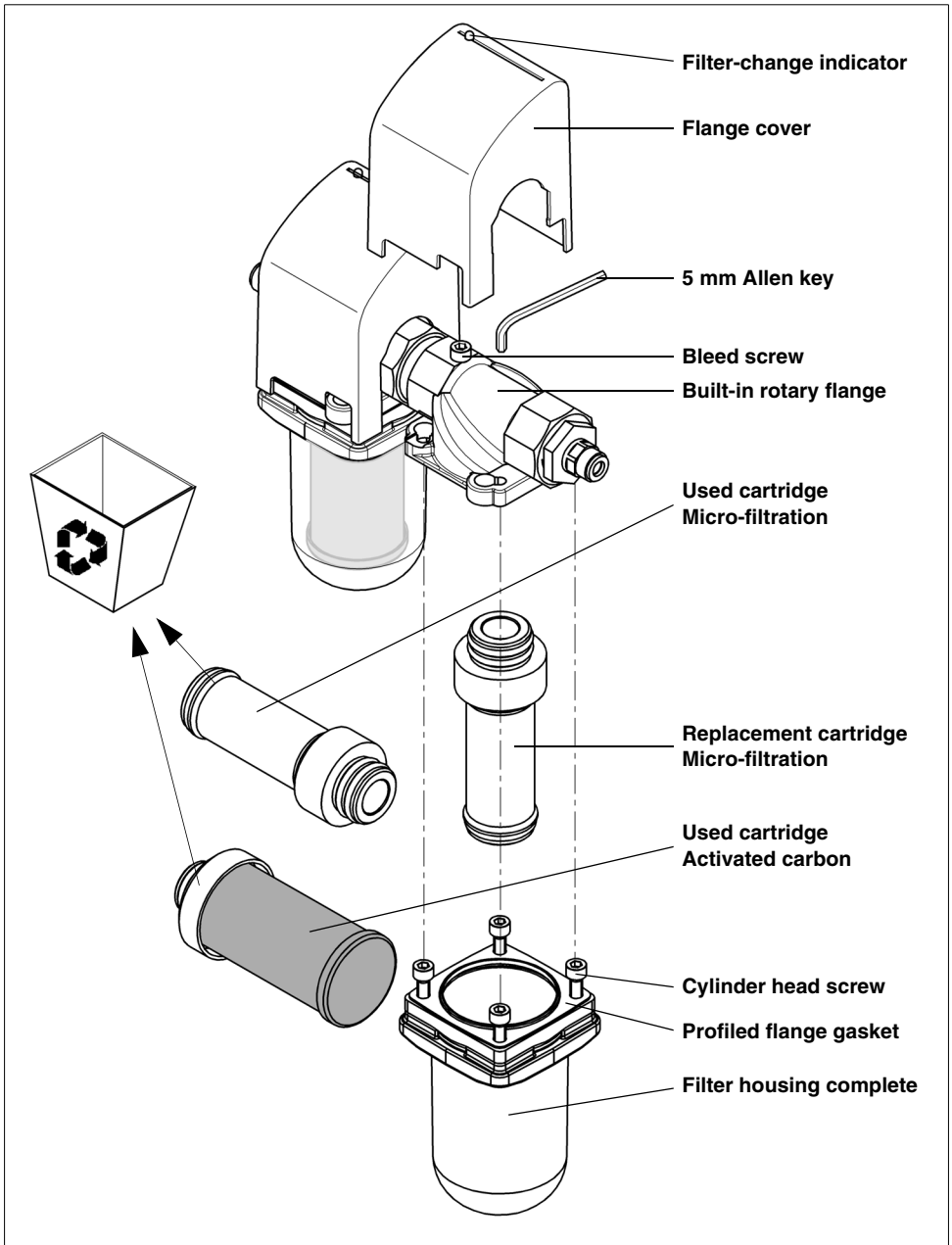


Fig. 11: Replacing the cartridges

6. Faults

Help with faults:

Fault	Cause	Remedy
Water smells unpleasantly or has become discolored.	The under-sink water filter has not been used over a longer period.	For hygienic reasons you must let the water run for approximately 10 minutes. If then condition does not then improve the cartridge must be replaced.
Water flow rate falls.	The cartridge is clogged.	Replace the cartridge. Premature cartridge replacement is necessary if the water contains a large proportion of particles or in case of large water consumption. (see chapter "Replacing the cartridges")
Leaks in the under-sink water filter.	Under-sink water filter has been exposed to higher temperatures or solvents.	Close the water shut-off valve and inform the fitter or the nearest customer service center.

7. Maintenance



ATTENTION

(see chapter “Safety indications and dangers due to non-compliance”)

Always observe the chapter “Intended use”!

7.1 Cleaning



ATTENTION

(see chapter “Safety indications and dangers due to non-compliance”)

Only use clear, clean drinking water to clean the housing.

Domestic all-purpose cleaners and glass cleaners can contain up to 25 % solvents or alcohol (spiritus).

These substances can chemically attack the plastic parts, which can lead to brittleness right up to [brittle] fractures.

These kinds of cleaners must therefore not be used.

8. Warranty and services

In order to maintain your legal warranty claim it is necessary for the filter insert to be replaced every 6 months. For hygiene reasons, depending on the water quality and water consumption, an exchange at shorter intervals may be required.

Regular servicing is indispensable in order to continue to achieve a successful treatment for many years after the unit is put into service. In the building services sector this is covered by DIN EN 806-5.

Wherever possible, the regular servicing work and supply with consumables and wearing materials, etc. should be carried out by the specialist trade or the factory’s customer service department.

In order to maintain your legal warranty

claim, a visual inspection is necessary every three months, depending on water consumption.

Clean fittings are prerequisite for hygienically perfect drinking water.

Regularly clean the faucet with disinfectant.

9. Accessories

9.1 Faucet JUDO design

- NSF approved
- with ceramic disc cartridge
- chrome plated: order no. 8115020
- nickel brushed: order no. 8115028

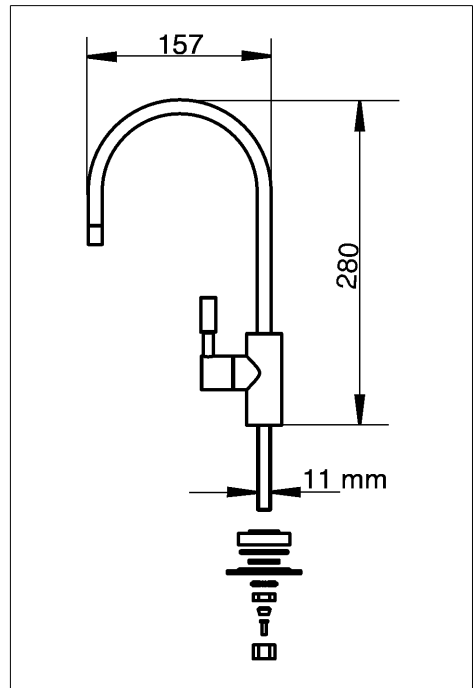


Fig. 12: Faucet JUDO design

10. Data sheet

10.1 Type

JUDO PURE@TAP

Under sink water filter

Order no.: 8115029

10.2 Technical data

Water temperature	5 - 30 °C (41 - 86 °F)
pH-area	5.5 - 9.5
Water pressure min.	1 bar (14.5 psi)
Water pressure max.	3.45 bar (50 psi)
Replacement interval of the filter cartridge	4 - 6 months

Flow rate (at 2 bar / 29 psi)	2 l/min (0.53 US gpm) (0.44 GB gpm)
Total capacity of filter cartridge	MF: 2000 l* (525 US gal) (440 GB gal)
	AC: 2000 l* (525 US gal) (440 GB gal)
Effective filter value	0.2 micron (0.0002 mm)

* depending on water quality

Bacteria removal value:

E. coli, Vibrio Cholerae, Shigella, Salmonella Typhi, Klebsiella Terrigena, Cryptosporidium, Giardia	> 99.99 %
------------------------------------------------------------------------------------------------------	-----------

10.3 Installation dimensions

A	B	C	D
240 mm (9.45 inch)	145 mm (5.7 inch)	72 mm (2.83 inch)	81 mm (3.19 inch)

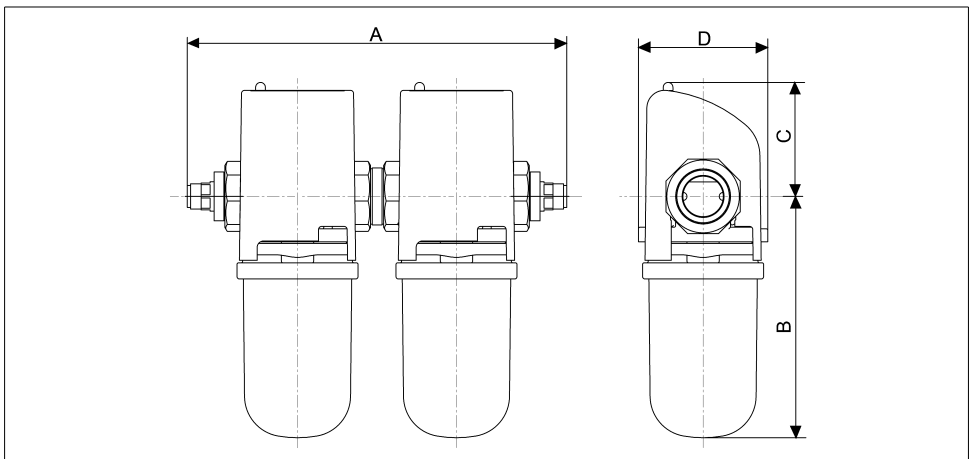
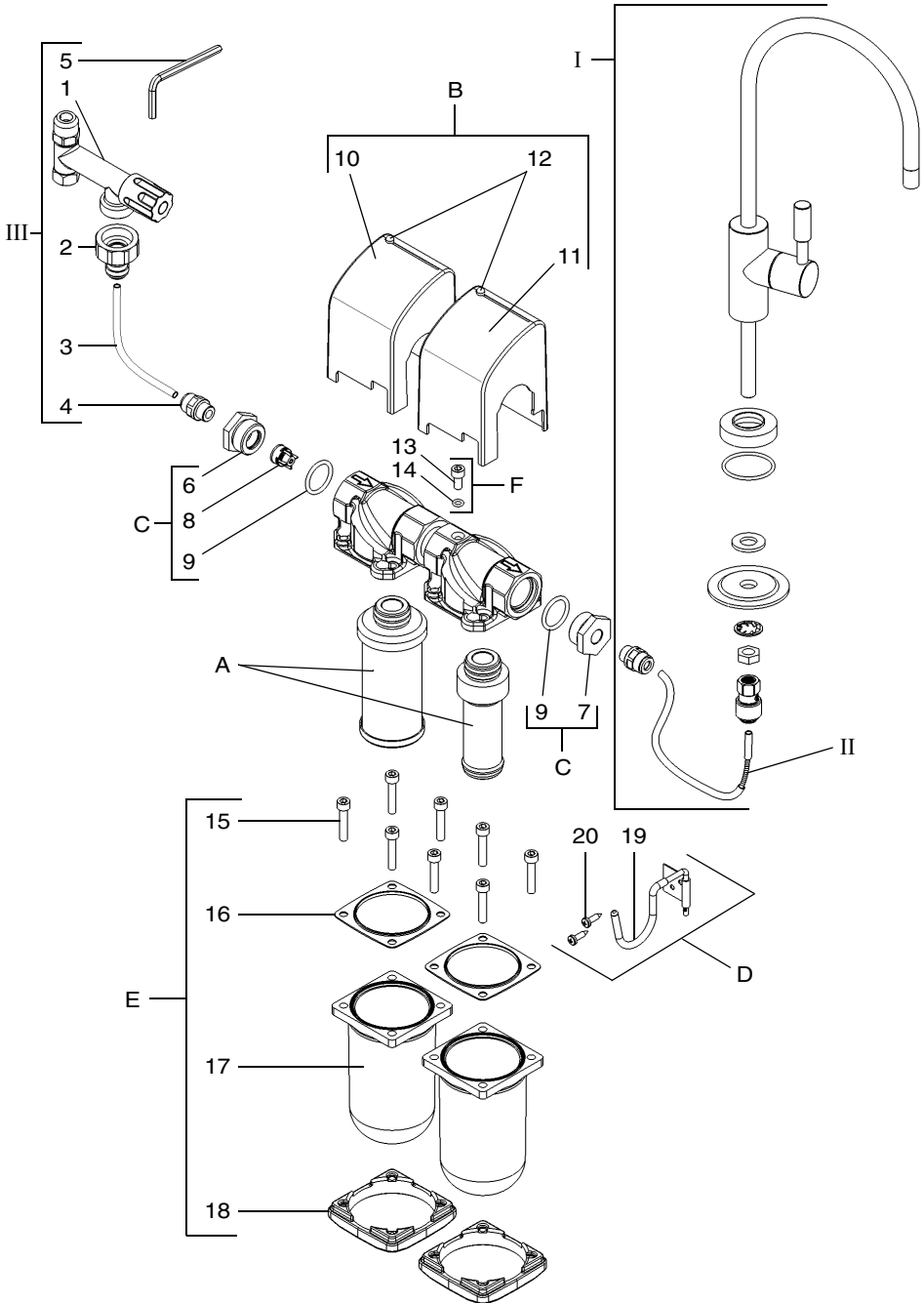


Fig. 13: Installation dimensions

11. Spare parts



Spare parts list JUDO PURE@TAP

Item	Designation (recommended average replacement interval for wearing parts [*])	Piece(s)	Order no.	AU ¹⁾ / piece
A	Replacement set Cartridges activated carbon / micro-filtration *****	1	8115025	price acc. to current price list
B	Spare parts set Flange cover, complete	1	2110105	27
C	Reducer, complete	1	2110040	6
D	Wall holder	1	2110065	AU ²⁾
E	Spare parts set Filter hood ****	1	2110102	69
F	Spare parts set Cylinder head screw M6x12	1	2110111	1
1	Angled inlet valve	1	1610667	
2	Hose adaptor ¾" F, for hose ø 8 mm	1	1130449	
3	Hose ø 8 mm, 1 m long	2	2110115	
4	Hose adaptor ¼" M, for hose ø 8 mm	2	1130377	
5	Allen key 5 mm DIN 911	1	1650006	
6	Reducer, machined ¾" M x ¼" F	1	2110119	
7	Reducer ¾" M x ¼" F	1	1980268	
8	Check valve	1	1980283	
9	O-ring 22x3	2	1200229	
10	Flange cover, printed + type plate DE	1	2110118	
11	Flange cover, printed	1	2110022	
12	Indicator button, red	2	1120397	
13	Cylinder head screw M6x12	1	1650383	
14	O-ring 5,28x1,78	1	1200336	
15	Cylinder head screw M6x30	8	1650209	
16	Profiled flange seal, precut	2	2460016	
17	Filter hood, special	2	2080124	
18	Flange, chrome plated	2	2270091	
19	Wall holder	1	1400152	
20	Pan head screw	2	1650457	

Accessories

Item	Designation	Piece(s)	Order no.	
I	Faucet, chrome plated	1	8115020	price according to current price list
I	Faucet, nickel brushed	1	8115028	
II	LEGIOLAX silver coated spiral ****	1	8230001	
III	Connection ****	1	2110116	AU ²⁾

1) AU = accounting unit (Items without AU are only available in a set.)

2) Accounting unit not yet defined at press time.

Replacement interval: **** = 4 years, ***** = 4 - 6 months depending on water quality and consumption

12. Customer service



JUDO Wasseraufbereitung GmbH

Postfach 380 • D-71351 Winnenden
Tel. +49 (0)7195 / 692-0
e-mail: info@judo.eu • judo.eu



JUDO Wasseraufbereitung GmbH • Niederlassung Österreich

Zur Schleuse 5 • A-2000 Stockerau
Tel. +43 (0)22 66 / 6 40 78 • Fax +43 (0)22 66 / 6 40 79
e-mail: info@judo-online.at • judo.eu



JUDO Wasseraufbereitung AG

Industriestrasse 15 • CH-4410 Liestal
Tel. +41 (0)61 906 40 50 • Fax +41 (0)61 906 40 59
e-mail: info@judo-online.ch • judo-online.ch



JUDO Wasseraufbereitung GmbH • Filiaal-Filiale BeNeLux

Laarbeeklaan-Av. du Laerbeek, 72 A1 • B-1090 Brussel-Bruxelles
Tel./Tél. +32 (0)24 60 12 88 • Fax +32 (0)24 61 18 85
e-mail: info.benelux@judo.eu • judo.eu



JUDO France S.à.r.L

76 Rue de la Plaine des Bouchers (Technosud) • F-67100 Strasbourg
Tel. +33 (0)3 88 65 93 94 • Fax +33 (0)3 88 65 98 49
e-mail : info@judo.fr • judo.fr

Installed by:

JUDO PROFI-PLUS / PROMI Backwash protective filter / Germ protection class domestic water station with point rotation system for optimum cleaning of the filter insert.		JUDO i-soft TGA 2 The world's first automatic, intelligent water softener.	
JUDO JRSF Backwashing protective filter The classic with patented filter system. Compact, robust, tried and tested thousands of times. Numerous versions from 1" to DN 200	JUDO JU-WEL Trio "Jewelling" unit with amethyst, rock crystal and rose quartz healing stones. Wellness pure with "jewelled" water.	JUDO BIOSTAT-COMBI-MAT The anti-lime protection and hygiene unit to be used in domestic water installations. Stops lime - without replacing the cartridge - and fights germs.	

All illustrations, dimensions and information for the different models are those valid on the date of printing. All rights are reserved for modifications as a result of technical progress or further developments. Claims with regard to models or products are excluded.

1701734 • 2014/01