

Installation and operating instructions

JUDO

PROFI-QUICK CONTROL

Backwash protective filter DN 125 - 200

Valid for: EU countries and Switzerland

Language: English

Attention:

Carefully read through the installation and operating instructions and safety information before installing and putting the unit into service.

These instructions must always be issued to the owner/user.

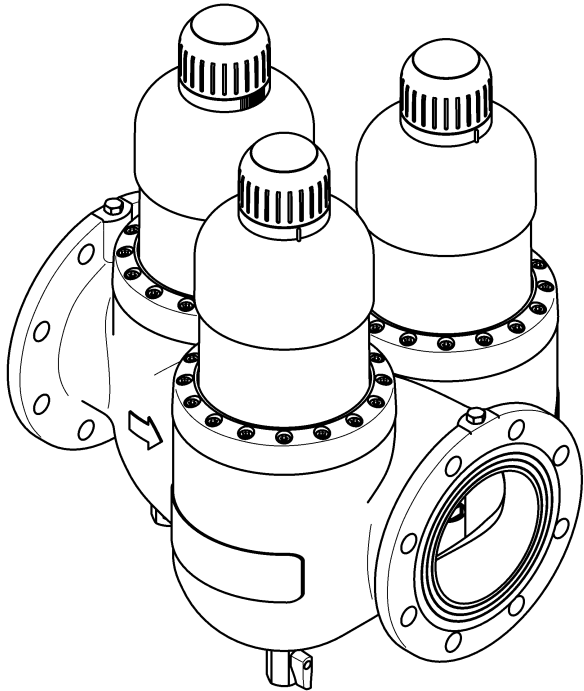


Fig.: JPF-QC DN 150



Application

The backwash protective filter removes all coarse and fine grained impurities which cause pitting as aeration elements in cold

and hot water supply piping, and that can lead to the malfunctioning of fittings and control- and regulation elements, as well as of sensitive devices.

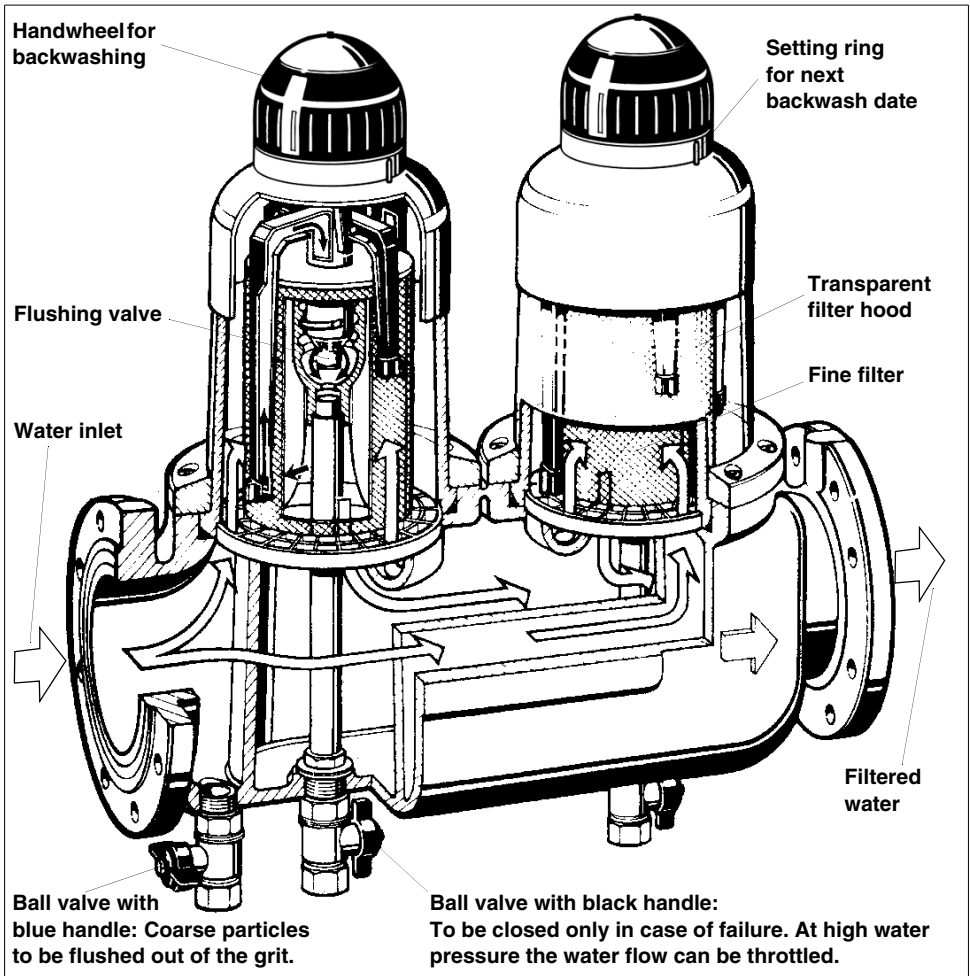


Fig. 1: Function JPF-QC DN 125 (example)

Installation

The backwash protective filter should be installed in a dry and frost resistant location with a floor drain.

It can be installed into all drinking water pipes usual in the trade, in each flow direction.

To ensure easy operation and maintenance

the indicated minimum distances have to be observed.

The installation into vertical lines should be effected only, if there isn't any possibility for an installation in horizontal lines.

If installing into a vertical line, the coarse particles deposited in the grit trap can't be

flushed out as optimally as when installed horizontally.

Tension-free installation has to be observed!

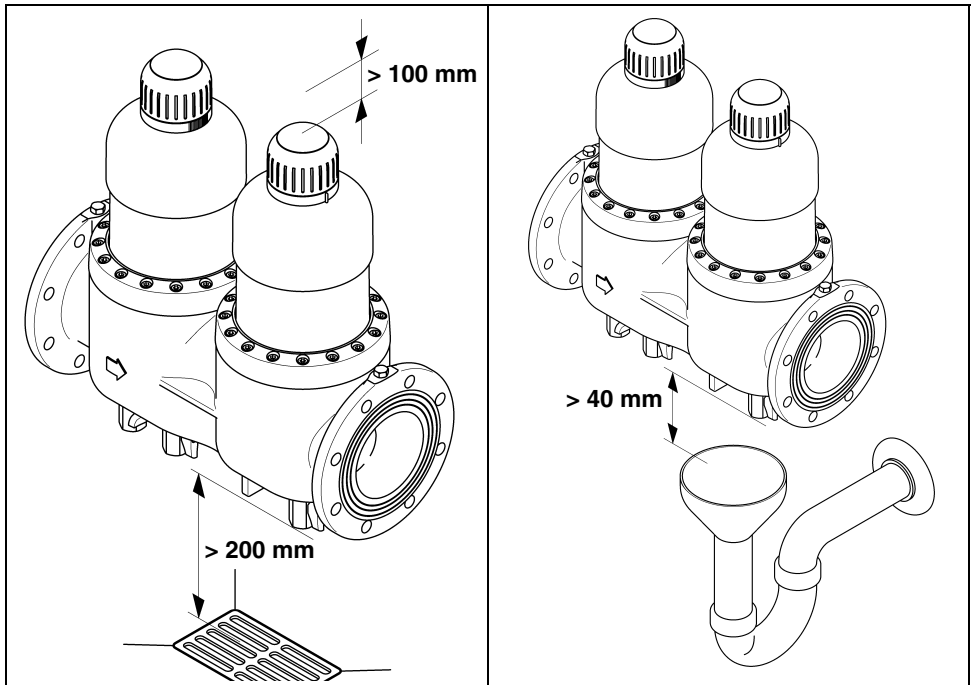


Fig. 2: Backwashing water discharge options JPF DN 125 (example)

Installation example

The installation of the backwash protective filter is effectuated up to a water pressure of 10 bar behind the water meter, and the backflow preventer before a possibly mounted pressure reducer.

In the event of **water pressure above 10 bar**, the pressure reduction valve should be fitted **in front** of the backwash protective filter (see fig. 3). If the operating pressure is above 10 bar, this may result in defects during operation.

i We recommend the installation of a pressure reducer at a **water pressure between 5 bar and 10 bar**.

For the backwashing water a wastewater connection [for example a floor drainage] in accordance with DIN 1986 must be in place. If a wastewater connection directly under

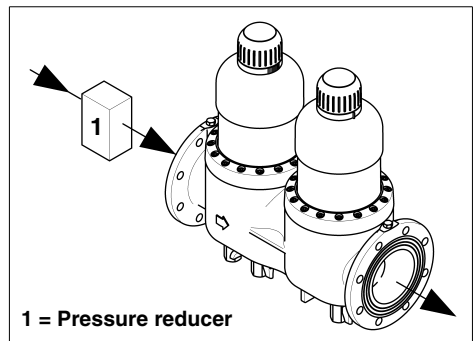


Fig. 3: Pressure reducer upstream of the filter.
Example: JPF DN 125

the filter is not possible, the rinse water can be led by means of a line to be mounted on the rinse water valve [same dimension as the rinse water valve] a few meters away to the next wastewater connection. When pivoting a pipe for the derivation of the rinse water it has to be paid attention to the fact that the ball valves are not twisted, because

these are pasted in by means of thread locking devices.

Design of backwash water connection

The dimensioning of the channel cross sections for the backwash water depends on the local conditions. For example the downward gradient of the wastewater pipe, the quantity of the detours, length of the sewage pipe.

Commissioning

Before starting up (initial putting into service or start-up after maintenance work), **fill** the backwash protective filter with water and **vent!**

Operation

For cleaning the filter the handwheel is untwisted to the left as far as it will go and closed to the right afterwards, till no more rinse water flows out. Rough impurities can be removed by opening the sludge trap ball valve that is built in before the backwash ball valves. DIN EN 13441-1 specifies that backwashing must take place at least every six months. However, JUDO recommends to carry out backwashing every two months! Depending on the water flow as well as on the kind of coarse-grained and fine-grained impurities and the extent to which these are existing in the water, a backwashing can be necessary within shorter time intervals. The backwashing takes place at full water line pressure. At pressures higher than 2 bar, it is necessary that the backwash stream is throttled by means of the backwash ball valve. Doing this it is prevented, that the sieve cloth is damaged by a too strong pressuring of the suction tube. At the same time the rinse water consumption is reduced. With a flush valve opened to one hundred percent and a pressure between 2 bar and 3 bar the backwash volume flow amounts to approx. 1 liter per second concerning.

External cleaning

Use only clear drinking water to clean the housing and transparent filter hood.

Domestic all-purpose cleaners and glass cleaners can contain up to 25 % solvents or alcohol (spiritus).

These substances can chemically attack the plastic parts, which can lead to brittleness right up to a burst.

These kinds of cleaners must therefore not be used.

Customer service

We wish you anytime a trouble-free operation.

Should occur, however, shortcomings, sometime or if there are queries, our customer service will be pleased to be at your disposal for further information.

Warranty and services

In order to comply with the legal warranty claim, it is necessary that backwashing takes place according to the existing operating conditions (see chapter **Operation**).

DIN EN 13441-1 specifies that backwashing must take place at least every six months.

However, JUDO recommends to carry out backwashing every two months!

Regular inspection and routine servicing is indispensable in order to continue to achieve a successful treatment for many years after the unit is put into service. In the building services sector this is covered by DIN EN 806-5.

A servicing agreement is the best way to ensure a good operating function beyond the warranty period.

Wherever possible, the regular servicing work and supply with consumables and wearing materials, etc. should be carried out by the specialist trade or the factory's customer service department.

Type

Backwash protective filter

JUDO PROFI-QUICK CONTROL

DN 125 - 200

Abbreviated name: JPF-QC DN 125 - 200

Models

Model	Pipe connection	Order no.
JPF-QC DN 125	DN 125	8010035
JPF-QC DN 150	DN 150	8010036
JPF-QC DN 200	DN 200	8010037

Technical data

The following applies for all the models of the device:

- Pressure loss when clean (after backwashing): 3 psi (20 kPa) at the water flow rate (nominal flow rate) given in the table.
- Maximum ambient temperature and water temperature: 30 °C (86 °F)
- **The water to be filtered must conform to the European Drinking Water Regulations!**
- Threaded connection according to DIN EN 10226-1
- Flange connection according to DIN EN 1092-1

Nominal pressure: 10 bar

Operating pressure: 1.5 bar - 10 bar

The nominal pressure denotes the pressure class, according to which the filter must fulfil the German requirements (DIN 19632-100 and DIN EN 1334-1). The maximum operating pressure is lower, in order to ensure the optimum function of the filter.

Water flow rate

Model	Water flow rate for a pressure loss of 0.2 bar with clean sieve insert ¹⁾
JPF-QC DN 125	440 gpm (100 m ³ /h)
JPF-QC DN 150	660 gpm (150 m ³ /h)
JPF-QC DN 200	880 gpm (200 m ³ /h)

1) Data concerning the water flow rate are valid for drinking water. The maximum water flow rate for more polluted water is lower, depending on the mesh size. If so, a larger dimension has to be chosen.

Installation dimensions and weights

Model	A	B	C	D	F
JPF-QC DN 125	560	250	446	191	¾"
JPF-QC DN 150	560	474	469	207	¾"
JPF-QC DN 200	600	474	485	238	¾"

All dimensions in [mm] (see fig. 4)

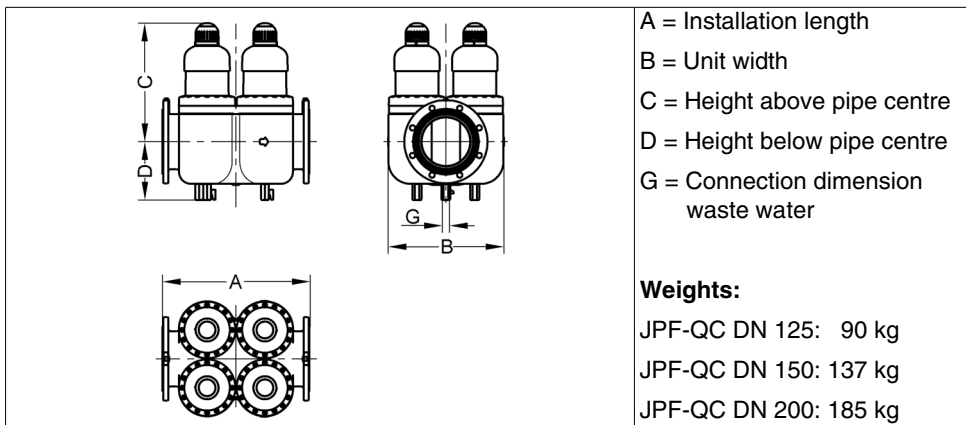
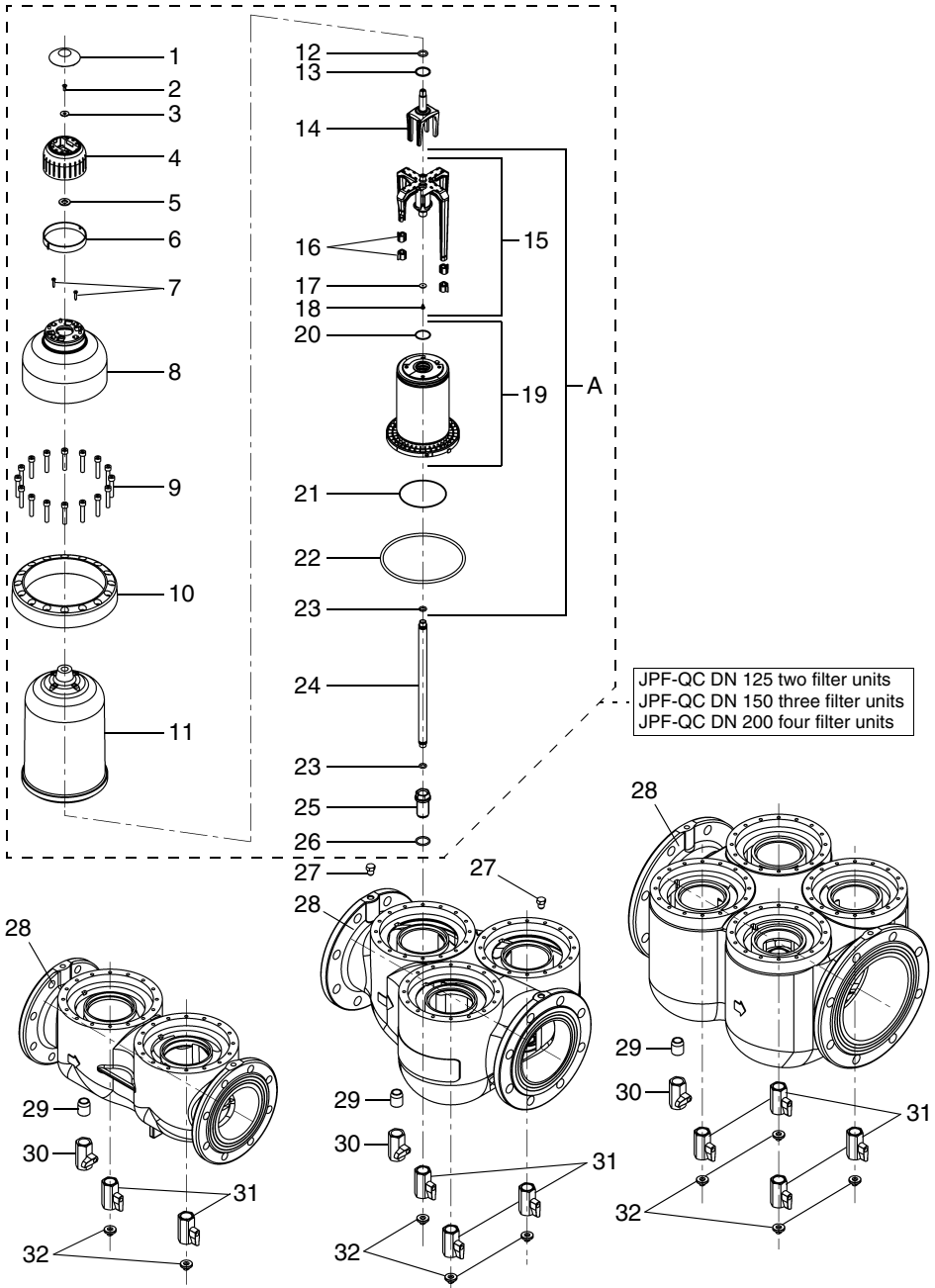


Fig. 4: Installation dimensions and weights (shown: JPF-QC DN 200)

Spare parts



Spare parts list JPF-QC DN 125 - 200

Item	Designation (Recommended average replacement interval for wearing parts [*)	Piece(s)	Order no.	VE ¹⁾ / Piece
A	Wearing parts set "Sieve 0,1 mm and suction pipe DN 80 - 200" (consisting of pos. 12, 13, 15, 19, 21, 22, 23) ***	1	2020726	590
B	Wearing parts set "Gaskets DN 80 - 200" (consisting of pos. 12, 13, 17, 18, 21, 22, 23) ****	1	2010339	76
1	Lid of handwheel	1	1120943	7
2	Countersunk screw M5x12	1	1607454	1
3	Disc A 6.4	1	1650142	1
4	Handwheel	1	1120431	23
5	Spacer disc	1	1120137	3
6	Setting ring for next backwash date	1	1120680	8
7	Plate screw 3.9x22	2	1650191	1
8	Cover filter hood	1	1120930	VE ²⁾
9	Cylinder head screw M8x45	16	1650208	2
10	Flange ring	1	2010181	180
11	Filter hood	1	2021139	590
12	O-ring 15x3.2	1	1607420	
13	O-ring 28x2.5	1	1200027	
14	Carrier	1	2020034	25
15	Suction pipe complete	1	2010029	
16	Suction nozzle	4	1120135	11
17	Suction pipe gasket	1	1200056	
18	Pan head screw 4.2x9.5	1	1650125	
19	Sieve 0.1 mm	1	2010028	
20	O-ring 29.87x1.78	1	1200181	
21	O-ring 100x1.5	1	1200124	
22	O-ring 178x6	1	1200058	
23	O-ring 12x3	2	1607110	
24	Water-jet pipe JPF-QC DN 125	1	2010060	23
24	Water-jet pipe JPF-QC DN 150	1	2010061	25
24	Water-jet pipe JPF-QC DN 200	1	2010062	27
25	Connection piece JPF-QC DN 125	1	2010031	38
25	Connection piece JPF-QC DN 150 - 200	1	2020265	38
26	O-ring 26x3	1	1607111	8
27	Verschlussstopfen ¼"	2	2290001	12
28	Filter bottom JPF-QC DN 125	1	2010053	3800
28	Filter bottom JPF-QC DN 150	1	2010056	6100
28	Filter bottom JPF-QC DN 200	1	2010059	7200

Spare parts list JPF-QC DN 125 - 200

Item	Designation (Recommended average replacement interval for wearing parts [*)	Piece(s)	Order no.	VE¹⁾/ Piece
29	Nipple	1	2010012	19
30	Ball valve (blue handle)	1	1610613	32
31	Ball valve (black handle) for JPF-QC DN 125	2	1610004	32
31	Ball valve (black handle) for JPF-QC DN 150	3	1610004	32
31	Ball valve (black handle) for JPF-QC DN 200	4	1610004	32
32	Orifice disc for JPF-QC DN 125	2	1440248	VE ²⁾
32	Orifice disc for JPF-QC DN 125	3	1440248	VE ²⁾
32	Orifice disc for JPF-QC DN 125	4	1440248	VE ²⁾

1) VE = Accounting unit (Items without VE are only available in a set.)

2) Accounting unit not yet defined at press time.

Replacement interval: *** = 3 years, **** = 4 years

Customer service



JUDO Wasseraufbereitung GmbH

Postfach 380 • D-71351 Winnenden
Tel. +49 (0)7195 / 692-0
e-mail: info@judo.eu • judo.eu



JUDO Wasseraufbereitung GmbH • Niederlassung Österreich

Zur Schleuse 5 • A-2000 Stockerau
Tel. +43 (0)22 66 / 6 40 78 • Fax +43 (0)22 66 / 6 40 79
e-mail: info@judo-online.at • judo.eu



JUDO Wasseraufbereitung AG

Industriestrasse 15 • CH-4410 Liestal
Tel. +41 (0)61 906 40 50 • Fax +41 (0)61 906 40 59
e-mail: info@judo-online.ch • judo-online.ch



JUDO Wasseraufbereitung GmbH • Filiaal-Filiale BeNeLux

Laarbeeklaan-Av. du Laerbeek, 72 A1 • B-1090 Brussel-Bruxelles
Tel./Tél. +32 (0)24 60 12 88 • Fax +32 (0)24 61 18 85
e-mail: info.benelux@judo.eu • judo.eu



JUDO France S.à.r.L

76 Rue de la Plaine des Bouchers (Technosud) • F-67100 Strasbourg
Tel. +33 (0)3 88 65 93 94 • Fax +33 (0)3 88 65 98 49
e-mail : info@judo.fr • judo.fr

Installed by:

All illustrations, dimensions and information for the different models are those valid on the date of printing. All rights are reserved for modifications as a result of technical progress or further developments. Claims with regard to models or products are excluded.

1701803 • 2014/02