

Installation and Operating Instructions JUDO PURE@TAP ACMF

Point-of-Use Water filter

Language: English

Valid for: Canada

Attention:

Please read these installation, operating instructions and safety information carefully before installing and putting the unit into service.

These must always be handed to the owner/user.

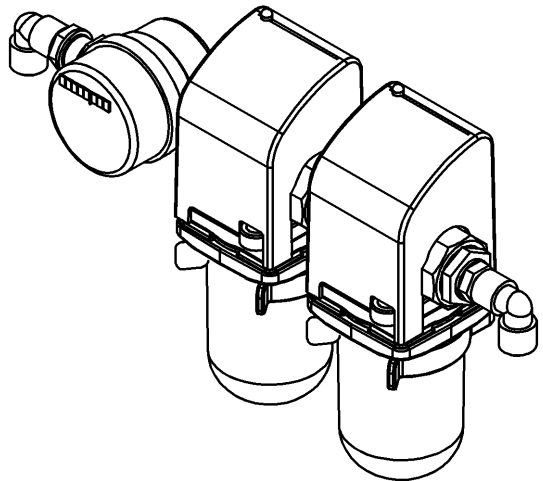


Fig.: ACMF



Corporate Head Office

JUDO Wasseraufbereitung GmbH
P.O. Box 380
D-71351 Winnenden
Germany
internet: <http://www.judo.eu>
e-mail: info@judo.eu

Manufacturing

JUDO Wasseraufbereitung GmbH
Hohreuschstraße 39-41
D-71364 Winnenden
Germany

Dear Customer,

We would like to thank you for choosing Judo Water Treatment.

The product you have purchased is a Point-of-Use water filter developed using state of the art technology.

This Point-of-Use water filter is suitable for use in COLD water, drinking applications, up to a maximum water temperature of 30 °C (86 °F).

The point-of-use water filter operates on the basis of a 2-stage function principle.

1st stage activated carbon block:

Physical impurities, chlorine, organic compounds are removed from the water.

2nd stage micro-filtration:

The 0.2 micron fine pores of the hollow fibre membrane reliably removes numerous bacteria, micro organisms, fungi, parasites and fine particles with diameters larger than the pores themselves.

The JUDO PURE@TAP has been developed using leading edge and state-of-the-art technologies; each unit has been thoroughly inspected prior to packaging and delivery.

If you encounter any deficiency, defects or installation problems, please contact our local customer service department, see back page.

Trademarks:

Trademarks used in this document are protected and registered trademarks of the respective holder.

© JUDO Wasseraufbereitung GmbH
D-71364 Winnenden

All rights reserved.
Reprints – even of extracts – are only permitted with special written approval.

Before you Begin:

- **Inspect carton and product carefully and thoroughly for defects or shipping damage.**
- **Use this product in accordance with all the respective local regulations, codes and safety practices.**
- **Do not install this product in applications where the ambient temperature is below 5 degrees Celsius**
- **Do not install this product closer than 13 feet (4 m) of plumbing piping between the filter inlet and the inlet of any water heater. Water heaters can and will transmit heat back through its respective plumbing.**

Always ensure that this product is installed so that the water temperature never exceeds a maximum of 30 °C (86 °F) for all applications. If in doubt, always check with local plumbing and building authorities prior to installation.
- **Do not install in applications where exposed to direct sun radiation/sun light.**
- **Do not expose this product to solvents or cleaners containing alcohol or petroleum products.**
- **Do not install this product near acid or acid fumes.**
- **All plumbing MUST conform to local codes.**
- **All plumbing must be properly supported with no stress to be put on product or piping.**
- **Turn off the main water supply.**

Table of Contents

1. About this Instruction Manual..... 4

1.1 Symbols used..... 5

1.2 Safety Indications and Dangers due to Non-compliance 5

1.3 Units used 5

2. Intended Use..... 6

2.1 Water Pressure 7

2.2 Information on hazard risks..... 7

3. Product description..... 8

3.1 Intended purpose 8

4. Installation 8

4.1 General 8

5. Service..... 12

5.1 Commissioning..... 12

5.2 Functional Description..... 12

5.3 Modifications / Changes / Spare parts..... 12

5.4 Shut down 13

5.5 Replacing the cartridge 13

6. Trouble shooting chart 15

7. Maintenance..... 16

7.1 Cleaning 16

8. Warranty and Services..... 16

9. Accessories 16

9.1 Design Faucet..... 16

9.2 Faucet connector 16

10. Data sheet 17

10.1 Type 17

10.2 Technical Data 17

10.3 Installation Dimensions 17

11. Spare Parts ACMF 18

12. Customer Service..... 20

1. About this Instruction Manual



(see chapter “Safety Indications and Dangers due to Non-compliance”)

The instruction manual must be permanently available at the point of use of the JUDO PURE@TAP filter.

The instruction manual contains important information on the JUDO PURE@TAP, so that it can be used in a safe, economical and appropriate manner.

It contains fundamental information, which must be observed during installation, operation and maintenance. Strict observance of this information helps to avoid danger, reduce repair costs and increases the reliability and working life of this filter.

The instruction manual must be read and used by each person entrusted with carrying out the working life of this filter, for example:

- **Installation**
- **Operation**
- **Maintenance** (servicing, inspection, repair)

Installation and maintenance may only be carried out by personnel authorized to do so by the manufacturer, who are able to complete the work stipulated in this installation and operating manual and in accordance with the legal requirements valid in the country of use.

In addition to the instructions contained in this manual, all valid regulations covering health and safety as well as all plumbing guidelines and codes valid in the country of use are to be adhered to at all times.


This instruction manual must, therefore, always be read by the installer and the skilled personnel/user responsible, before the installation, prior to putting the unit into service or before performing any maintenance on this unit.


In addition to the general safety notes outlined in the chapter "Intended Use", please reference the special safety notes which have been outlined in all the chapters provided in this manual.

1.1 Symbols used

The safety notes contained in this instruction manual are labelled with the following symbols:

 **ATTENTION**  Notes on existing dangers

 Warning, electrical voltage.

 Tips for use and other informations.

Notes directly attached to the JUDO PURE@TAP filter, e.g.

- Flow direction (see Fig.1)
- Type plate
- Cleaning advice

must be adhered to and kept fully legible.

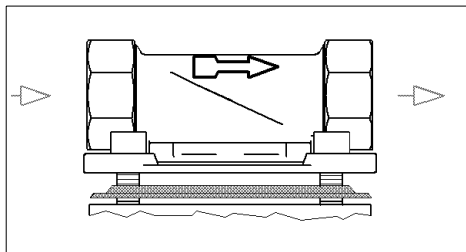


Fig. 1: Built-in rotary flange

1.2 Safety Indications and Dangers due to Non-compliance

Non-compliance with the general danger symbols given in this manual may result in the following risks among others:

- Failure of important functions of this filter.
- Danger to persons due to electrical and mechanical effects.
- Danger to persons and the environment due to leaks.

Refrain from any action which may involve danger to health or safety.

Non-compliance with this instruction manual and the safety information contained in it, can not only result in the risk of personal injury but can also harm the environment and the JUDO PURE@TAP filter itself.

1.3 Units used

With reference to the International System of Units (SI= System International), the following units are used:

Units	Conversion
°F	°F = 9/5 °C + 32
bar	1 bar = 14.5 psi

2. Intended Use

The installation and operation of the JUDO PURE@TAP Water filter is to be carried out in accordance with all rules and regulations relevant and valid in the country of operation.

In addition to this, all valid regulations governing health and safety in the country of use are to be adhered to at all times.

The water to be filtered must be of drinking water quality !

It is absolutely essential that the local distributor be consulted before using this filter on water of a different quality, respectively water containing additives.

The JUDO PURE@TAP is NOT intended to be used for the treatment of water that is microbiologically unsafe!

This JUDO PURE@TAP water filter is suitable for use in cold drinking water applications up to a maximum water temperature of 30 °C (86 °F).

The JUDO PURE@TAP water filter may be used only as described in these operating instructions, any further application is to be deemed non-compliant with the safety requirements indicated herein which may result in a higher hazard risk to persons and property.

The manufacturer / supplier cannot be held liable for any damages resulting from such use. Such usage is carried out at the user's full risk. The intended use also includes the observance of the operating instructions.

Please consult with our customer service department before using this water filter for any applications other than the ones stipulated in this manual.

The JUDO PURE@TAP Water filter may only be used in a technically correct condition, free from defects and in accordance with health and safety regulations!

Any functional defects are to be reported immediately!

2.1 Water Pressure

The water pressure has to be between 15 psi and 60 psi.

The water pressure must not fall below 15 psi as otherwise the operation can be impaired!

Failure to carry out regular maintenance may result in a decrease in water pressure and impair the filter function.



(see chapter “Safety Indications and Dangers due to Non-compliance”)

At a **water pressure higher than 60 psi**, a pressure reducer must be fitted **in front of** the JUDO PURE@TAP Water filter (see Fig.2).

In most modern installations, despite normal system pressure conditions, peak pressures of up to over 435 psi frequently occur.

This will lead to damages!

The optimum static and operating pressure range for the JUDO PURE@TAP Water filter is between 15 psi to 60 psi. Under these pressure ranges the JUDO PURE@TAP Water filter works most effectively.

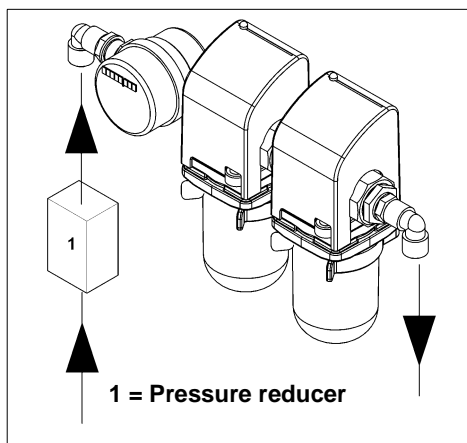


Fig. 2: Pressure reducer before the point-of-use water filter.

2.2 Information on hazard risks

2.2.1 Electrical equipment / installations

Electrical devices / equipment that are not splash-water proof and are situated in the direct vicinity of the JUDO PURE@TAP water filter may be damaged by water escaping from the JUDO PURE@TAP water filter, caused as a result of the device being operated improperly. In addition, short circuits may occur if such electrical devices / equipment are / is connected to the electrical power supply. This may result in the risk of danger of electric shock to persons.

Therefore all the electrical devices / equipment situated in the direct vicinity should be splash-water proof, respectively comply with the statutory requirements for wet areas (NEMA type 12 / IP44).

3. Product description



3.1 Intended purpose

This JUDO PURE@TAP water filter is suitable for the use in cold drinking water supply, up to a water temperature of maximum 30 °C (86 °F).



(see chapter “Safety Indications and Dangers due to Non-compliance”)

Concerning use restrictions, see chapter “Intended Use”, please.

4. Installation

4.1 General



(see chapter “Safety Indications and Dangers due to Non-compliance”)

The installation may only be carried out by qualified personnel.

The chapter “Intended Use” has to be observed at all times!

For ease of operation and maintenance the dimensions indicated should be adhered to at all times. (see chapter “Installation Dimensions”).

Appropriate point of installation:

The JUDO Pure@Tap water filter is intended to be installed in the direct vicinity (as close as possible) to the point-of-use (see chapter “Modifications / Changes / Spare parts”).

The water supply is to be turned off / shut off before installation and may only be re-opened once installation is fully completed. Failure to do so, may result in water damage.

If the water filter hasn't been used or put into service for a long period of time, then the stagnant water in the unit should be removed. Open the faucet and let the water run for approximately five minutes.

When installing, all piping, filter and parts have to be mounted and secured. Due to non-observance, its function can be compromised.

When installing and replacing the cartridge, pay attention to cleanliness.

Through dirt on your hands, during the installation and during the replacement of parts, bacterial impurities can arise in the drinking water. Always ensure that your hands, tools and plumbing parts are clean and sterile, never touch or handle filter cartridges without clean and sterile latex gloves.

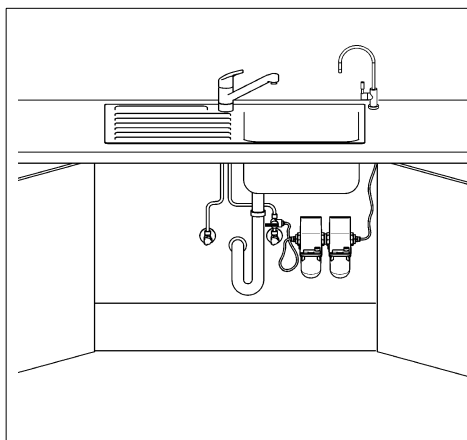


Fig. 3: JUDO PURE@TAP water filter under-sink installation

4.1.1 Requirements: Point-of-Use

The room where the unit is installed must be dry and frost free!

Unauthorized persons must not have access to the JUDO PURE@TAP water filter!



(see chapter “Safety Indications and Dangers due to Non-compliance”)

The ambient temperature must not exceed 30 °C (86 °F)!

Do not connect to the hot water system!

The JUDO PURE@TAP water filter should not be exposed to direct sunlight.

The JUDO PURE@TAP water filter can be installed in all standard commercial drinking water pipes. Please shut down the incoming water supply before Installation is started.

Pay attention to the flow direction (see Fig.4)!

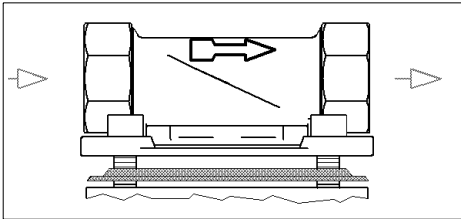


Fig. 4: Flow direction

4.1.2 Wall-Mounted Installation

There has to be enough space for the wall-mounted installation (see chapter “Installation Dimensions”). Use the enclosed specification sheet with bracket dimensions as a mounting aid.

Mount both wall brackets with the aid of the screws and inserts provided.

Installation should take account of the fact that the unit should be easily accessible for cartridge changes.

4.1.3 Installation of the Point-of-Use water filter

First assemble the enclosed micro-filtration cartridge (see 5.5-3).

Snap the JUDO PURE@TAP water filter in to the wall-mounting brackets.

Pay attention to the flow direction (see Fig.5)!

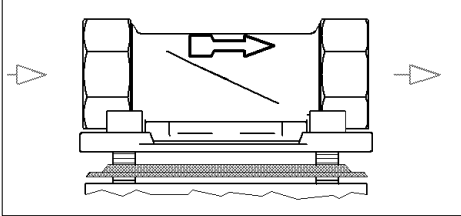


Fig. 5: Flow direction

Connect the JUDO PURE@TAP water filter with approved and appropriate tubing, piping or hoses to the shut-off valve, as well as to the faucet/spigot.

Open the cold water shut-off valve and the faucet/spigot carefully so that the air can escape from the system. The microfiltration cartridge must also be vented using the bleed screw. The bleed screw must be left slightly unscrewed so that air can escape from the system. Re-tighten the bleed screw once all the air has been vented (see Fig.6).

Leave the faucet/spigot running until only clear water flows out and all the air has been removed.

Turn the faucet/spigot off.

Particles of Activated Carbon may become dislodged from the cartridge during installation. This has no bearing on the filter function and only underlines the efficiency of the cartridge type used. Should these particles prove to be an optical disturbance, please simply rinse the cartridge for a few minutes before installing the micro filtration cartridge.

Setting up the indicator for filter change:

Move the indicator button on the cover to the next filter change requirement (filter change every 4 - 6 months at the latest).

The JUDO PURE@TAP water filter is now ready for use!.

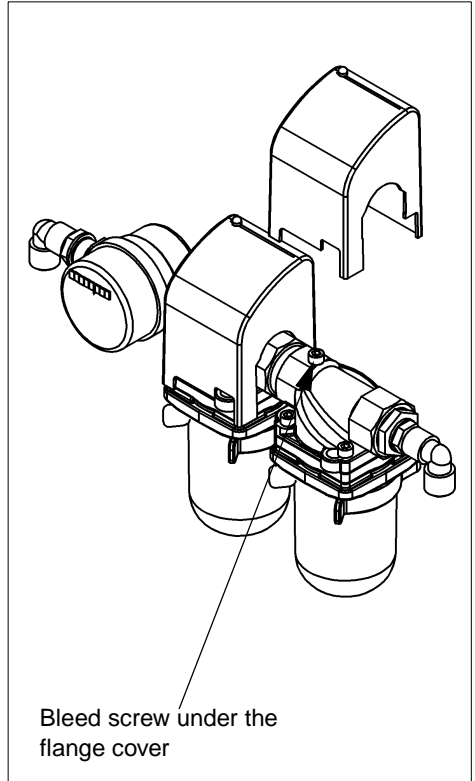


Fig. 6: Bleed screw

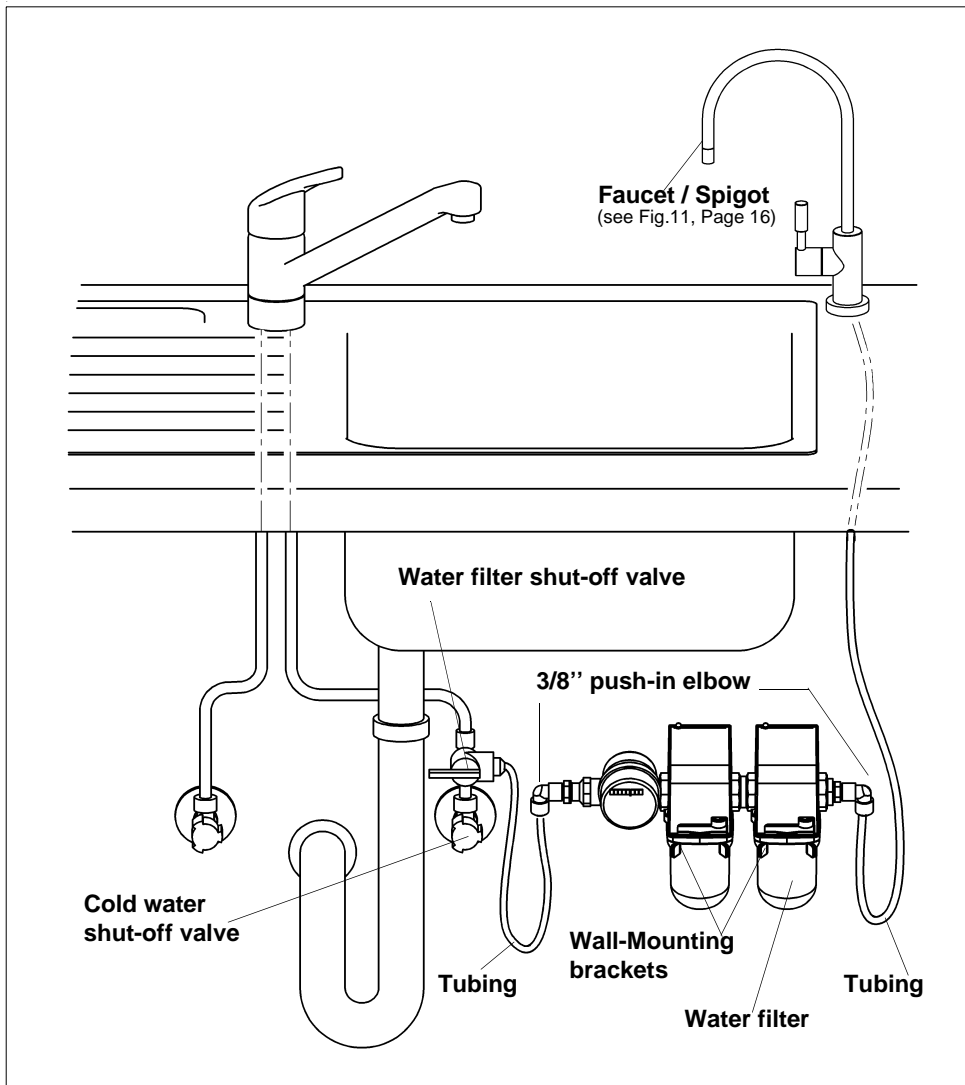


Fig. 7: Installation

5. Service



(see chapter “Safety Indications and Dangers due to Non-compliance”)

Always observe the chapter “Intended Use”!

5.1 Commissioning

Before starting up (initial putting into service or start-up after maintenance work), fill the JUDO PURE@TAP water filter with water and vent!

The bleed screw must be left slightly unscrewed so that air can escape from the system.

Re-tighten the bleed screw once all the air has been vented (see Fig.6).

Leave the faucet/spigot running until only clear water flows out and all the air has been removed.

Turn the faucet/spigot off.

Check for leaks both immediately after start-up and a few hours later.

5.2 Functional Description

The JUDO PURE@TAP water filter:

- Improves the water taste.
- Removes bacteria, fungi, parasites, insecticides, herbicides, phenols, chlorine, etc. from the water supply.
- Easy to install.
- Easy to change out cartridges.
- Easy to use.

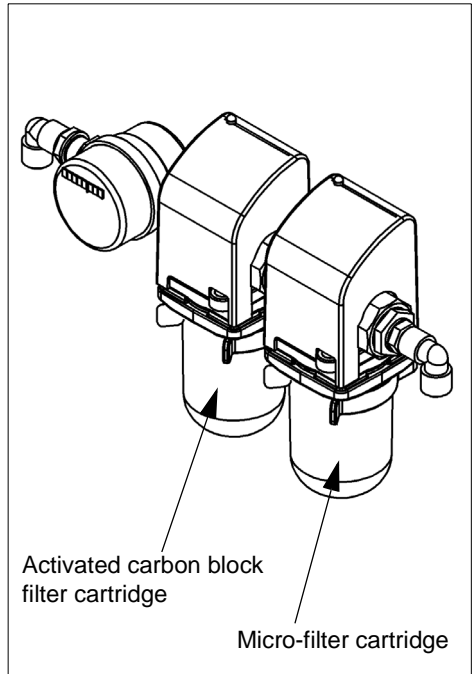


Fig. 8: Functional Description

5.3 Modifications / Changes / Spare parts



(see chapter “Safety Indications and Dangers due to Non-compliance”)

Only original spare parts are to be used!

For safety reasons, unauthorized modifications and changes to the unit are not allowed! These may impair the function of the JUDO PURE@TAP water filter, cause leaks and in extreme cases cause the water filter to burst.

5.4 Shut down



(see chapter "Safety Indications and Dangers due to Non-compliance")

Please consult the chapter "Intended Use" before attempting to open or take-apart the filter.

5.5 Replacing the cartridge

- 1 Close the drinking water supply shut-off valve. Open the faucet to remove the water pressure.
- 2 Remove the JUDO PURE@TAP water filter:
Press the clamping ring of the tubing adapter back and remove the tubing from the unit. Remove the water filter from the wall-mounting.
- 3 Remove the flange cover upward (see Fig.10).
- 4 Use an allen key to loosen all four bold head screws.
- 5 Turn the filter hood to the left up to the limit stop and pull off downward.
- 6 Remove and replace the used seal. The profiled side of the seal must be pointing towards the flange. Failure to observe this can lead to leakage and water damage (see Fig.9).

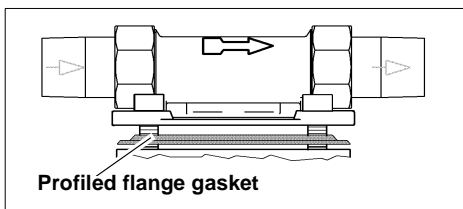


Fig. 9: Built-in rotary flange

- 7 Remove the used replacement cartridge.
- 8 Clean the seat of the cartridge in the housing using the disinfectant cloth provided.
IMPORTANT: Do not touch any plastic parts, especially the inside of the filter hood, or the cartridge, with your bare hands.
- 9 Insert the new replacement cartridge in

the built-in rotary flange and press in up to the limit stop.

- 10 Insert the filter hood into the bayonet opening of the built-in rotary flange, turn to the right up to the limit stop.
- 11 Use an allen key to tighten all four bolt head screws



Select the tightening torque (approx 4 Nm) so that the seal closes and the water filter is not damaged or stressed/distorted!

- 12 Replace filter cap cover.
- 13 Install the JUDO PURE@TAP water filter: Insert into the wall-mounting bracket and connect the tubing and adapters.
- 14 Open the drinking water shut-off valve and follow section "Commissioning" 5.1.



Particles of Activated Carbon may become dislodged from the cartridge during installation. This has no bearing on the filter function and only underlines the efficiency of the cartridge type used. Should these particles prove to be an optical disturbance, please simply rinse the cartridge for a few minutes before installing the micro filtration cartridge. Always keep the filter elements in the following order in flow direction:

1. Activated carbon block filter cartridge
2. Micro-filter cartridge!

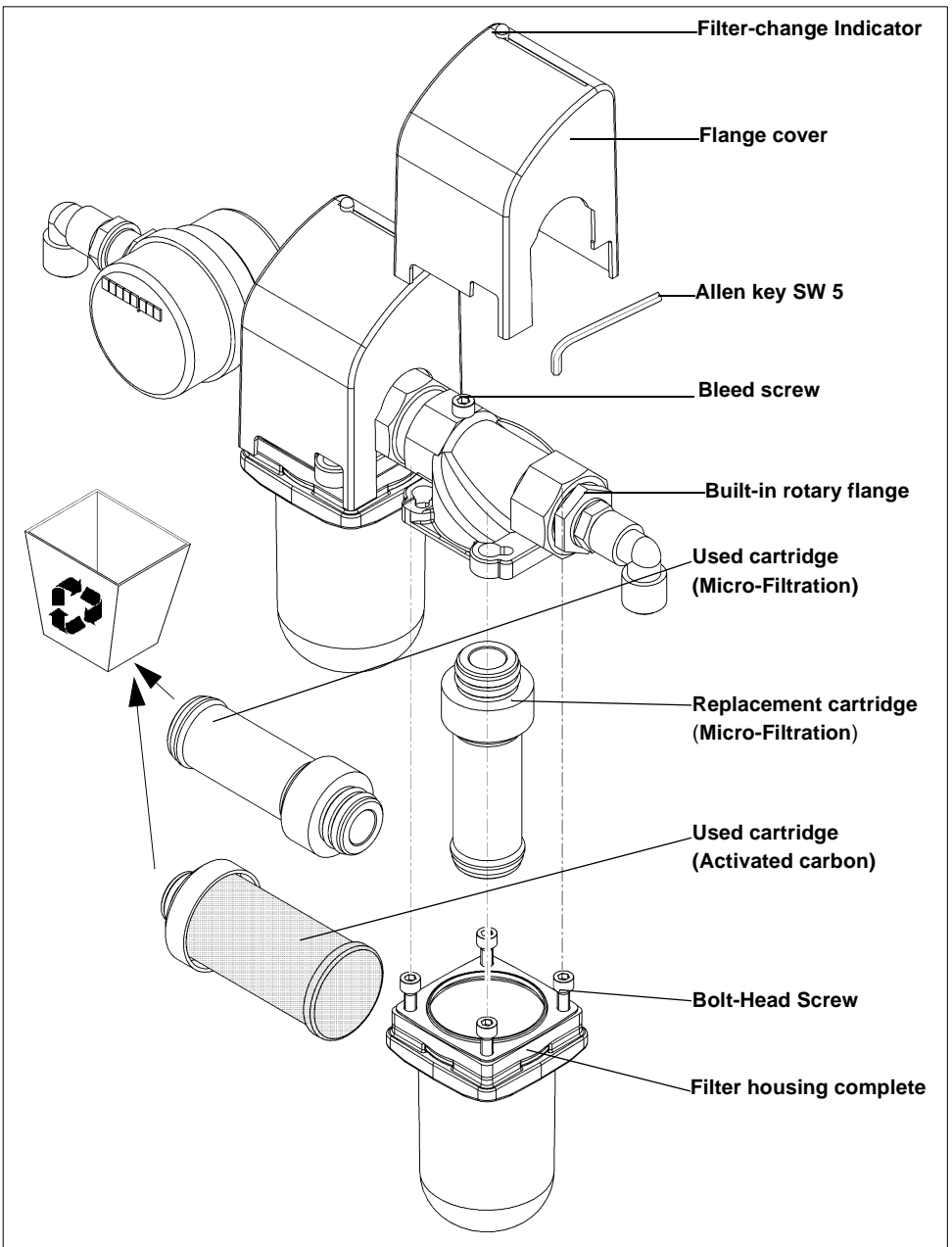


Fig. 10: Replacing the cartridge

6. Trouble shooting chart

Error	Cause	Remedy
Water has an unpleasant smell or is discoloured.	The JUDO PURE@TAP water filter has been unused for too long a period of time.	For hygienic reasons let the water run for approximately 10 minutes. If the condition does not improve, the cartridge must be replaced.
Water flow rate and pressure decreased!	The cartridge is clogged.	Replace the cartridge. Premature cartridge replacement is necessary when the water contains a large amount of physical impurities or in a case of high water consumption (see chapter 5.5 “ Replacing the cartridge ”).
Leaks in the JUDO PURE@TAP water filter!	JUDO PURE@TAP water filter has been exposed to higher temperatures or solvents.	Inform the fitter or nearest customer service centre.
Black activated carbon Particles on the micro Filtration cartridge.	Particles of activated carbon may become dislodged from the cartridge during installation.	<p>Particles of activated carbon may become dislodged from the cartridge during installation. This has no bearing on the filter function and only underlines the efficiency of the cartridge type used. Should these particles prove to be an optical disturbance, please simply rinse the cartridge for a few minutes before installing the micro filtration cartridge.</p> <p>Move the indicator button on the cover to the next filter change requirement (filter change every 4 - 6 months at the latest).</p>

7. Maintenance



ATTENTION

(see chapter “Safety Indications and Dangers due to Non-compliance”)

Always observe the chapter “Intended Use”!

7.1 Cleaning



ATTENTION

(see chapter “Safety Indications and Dangers due to Non-compliance”)

Only use clear, clean drinking water to clean the housing!

Domestic all-purpose cleaners and glass cleaners can contain up to 25% solvents or alcohol (spiritus) which may damage the unit.

8. Warranty and Services

All JUDO products are supplied in accordance with the legal requirements of warranty legislation in their country of use.

Please note, that failure to regularly maintain your unit and/or replace cartridges and other consumables on this unit where required for safe operation, may result in a loss or reduction of warranty coverage.

JUDO strongly recommends, that the user signs a maintenance contract with his local, qualified service agent.

For reasons of domestic hygiene, please ensure your faucet is cleaned regularly using disinfectant!

9. Accessories

9.1 JUDO Design Faucet

- NSF- approved
- chrome plated
- with ceramic disc cartridge for ¼” Tubings
- Order Nr. 8115020

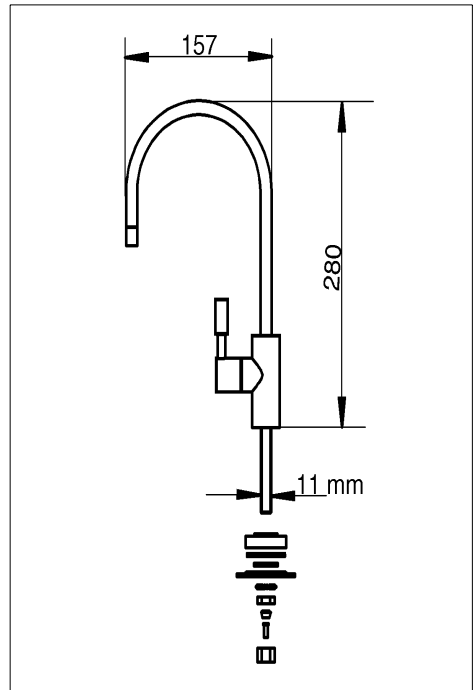


Fig. 11: JUDO Design Faucet

9.2 Faucet connector

- For 3/8” Tubings
- Order Nr. 2110076

10. Data sheet

10.1 Type

JUDO PURE@TAP water filter

Abbreviated name: ACMF

Order No.: 8115012

10.2 Technical Data

Water temperature	5 - 30 °C (41 - 86 °F)
pH-area:	5.5 - 9.5
Water pressure min.	15 psi
Water pressure max.	60 psi
Cartridge replacement interval 4-6 months	

Flow rate (at 20 kPa / 29 psi)	200 litres / hour (0.88 US gpm) (0.73 GB gpm)
Total capacity per filter cartridge	MF: 2000 litres ¹⁾ (525 US gal / 440 GB gal)
	AC: 2000 litres ¹⁾ (525 US gal / 440 GB gal)
Effective filter value	0,2 micron (0,0002 mm)

1) depend on waterquality

Bacteria removal values:

E.coli, Vibro Cholera, Shighella, Salmonella Typhi, Klebsiella Terrigena, Crypt- osporidium, Giardia	> 99.99 %
---	-----------

10.3 Installation Dimensions

Model	A	B	C	D	E
ACMF	385 mm (15.2 inch)	145 mm (5.70 inch)	77 mm (3.03 inch)	105 mm (4.13 inch)	9.5 mm ø (3/8" ø)

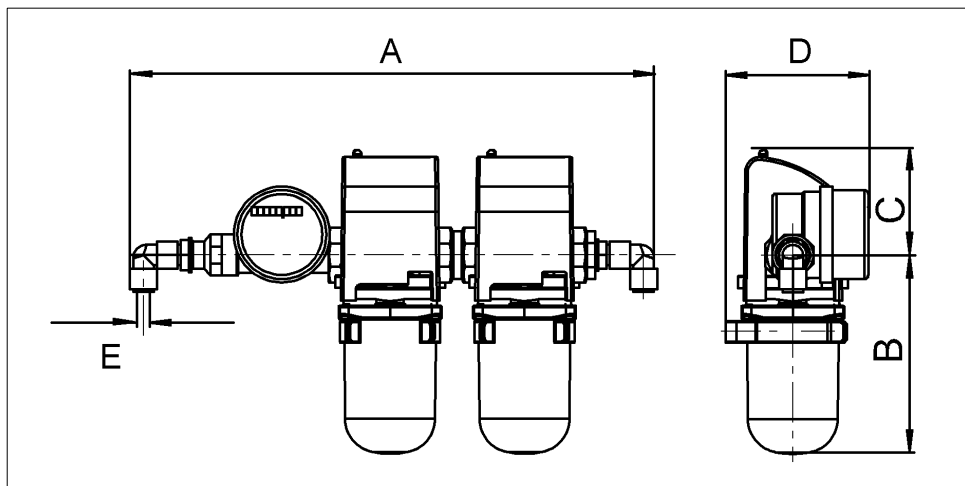
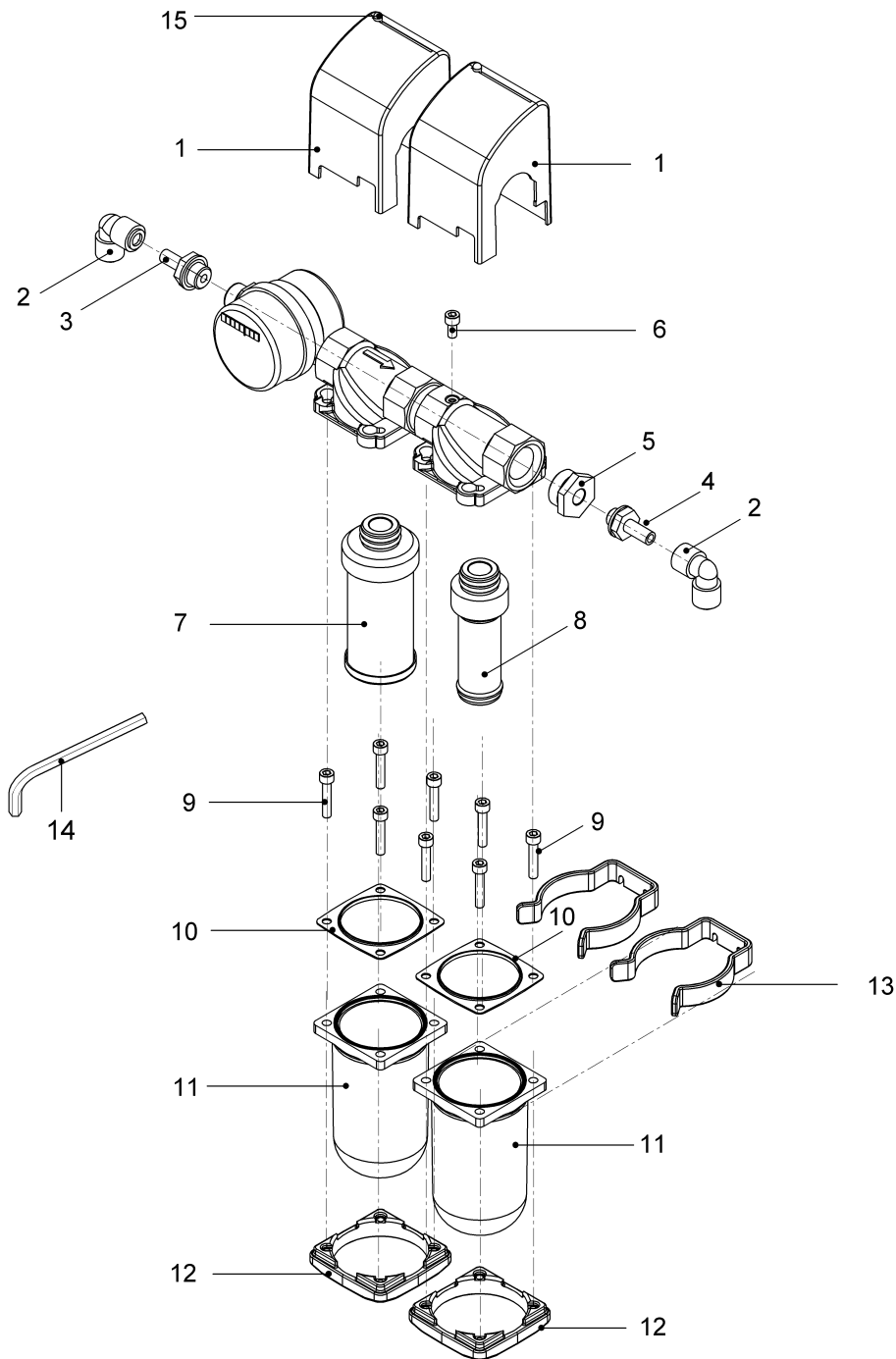


Fig. 12: Installation Dimensions

11. Spare Parts ACMF



Spare Parts List ACMF $\frac{3}{8}$ "

Item	Designation (Recommended average replacement interval for wearing parts)	Piece(s)	Order No.	AU Piece
1	Flange cover ACMF	2	2110022	22
2	Push-in elbow $\frac{3}{8}$ "	2	1130384	15
3	Stem Adaptor $\frac{3}{8}$ " x $\frac{3}{8}$ "	1	1130386	8
4	Stem Adaptor $\frac{3}{8}$ " x $\frac{1}{4}$ "	1	1130383	8
5	Reducer $\frac{3}{4}$ " AG - $\frac{1}{4}$ " IG	1	2110040	6
6	Bolt-head screw	1	1650383	1
7	Replacement cartridge Activated carbon block ¹⁾	1	8115016	Price in accordance with current price list
8	Replacement cartridge micro-filter ¹⁾	1	8115017	
9	Bolt-head screw M6x30	8	1650209	2
10	Profiled flange seal ²⁾	2	2460016	7
11	Filter housing	2	1120560	49
12	Flange	2	1420013	20
13	Wall-Mounting bracket	2	2270050	32
14	Allen key SW 5			
15	Indicator Button	2	1120424	2

1) Replacement interval = 4 - 6 month

2) Replacement interval = 2 years

12. Customer Service



JUDO Water Treatment Inc.
2060 Steeles Ave. West, Unit 4
Concord, Ontario, L4K 2V1

Phone (905) 761-1555
Fax (905) 761-3335
E-Mail: service@judo-online.com

Installed by:

All illustrations, dimensions and information for the different models are those valid on the date of printing. All rights are reserved for modifications as a result of technical progress or further developments. Claims with regard to models or products are excluded.